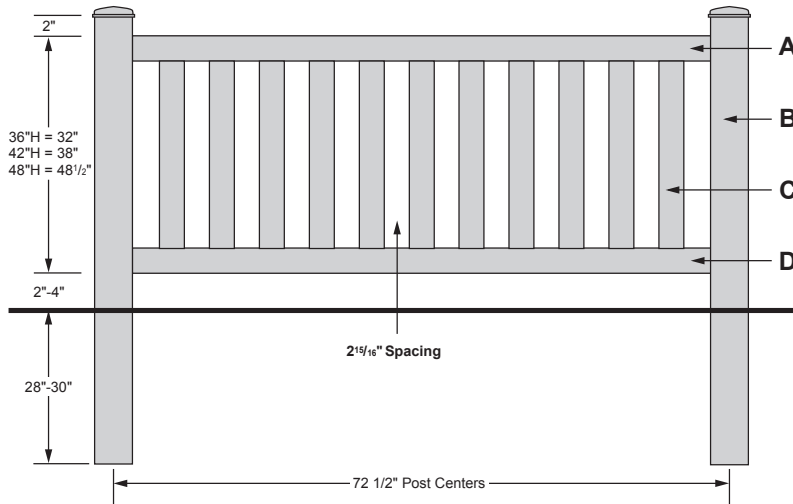


Baron Yard Fence

New!
4"x4"
Post

36", 48" High



A - 2" x 4" x 71½" Routed Rail

B - 4" x 4" Posts
36" High = 66" Post Length
48" High = 82" Post Length

C - (11) 7/8" x 3" Spokes
36" High = 31½" Spoke Length
48" High = 48" Spoke Length

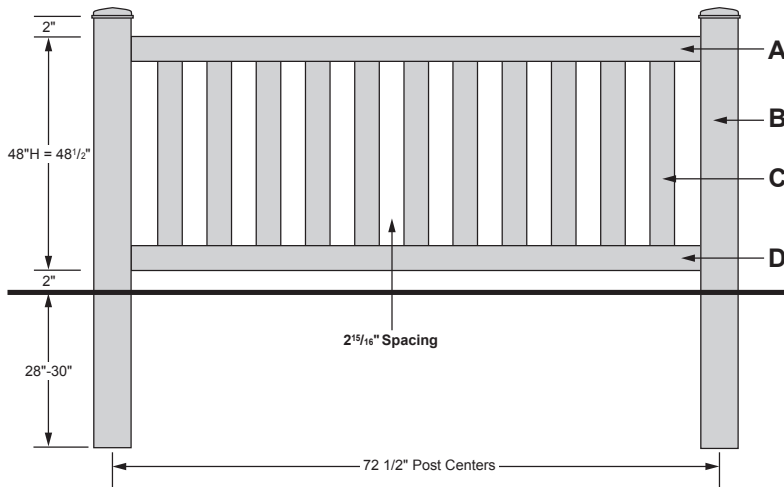
D - 2" x 4" x 71½" Routed Rail
(With Aluminum Channel)



POOL CODE STYLES REQUIRE 2 WEEK LEAD TIME



48" High



A - 2" x 4" x 71½" Routed Rails

B - 4" x 4" Posts
48" High = 82" Post Length

C - (11) 7/8" x 3" Spokes
48" High = 48" Spoke Length

D - 2" x 4" x 71½" Routed Rail
(With Aluminum Channel)

Product Information (6' Sections)

36", 48" High Baron Yard Fence. All sections include 1-post per section, additional posts available, see price sheet. **Optional Caps**



48" available to meet pool code.



Ball Cap



Spade Cap



NY Flat Cap

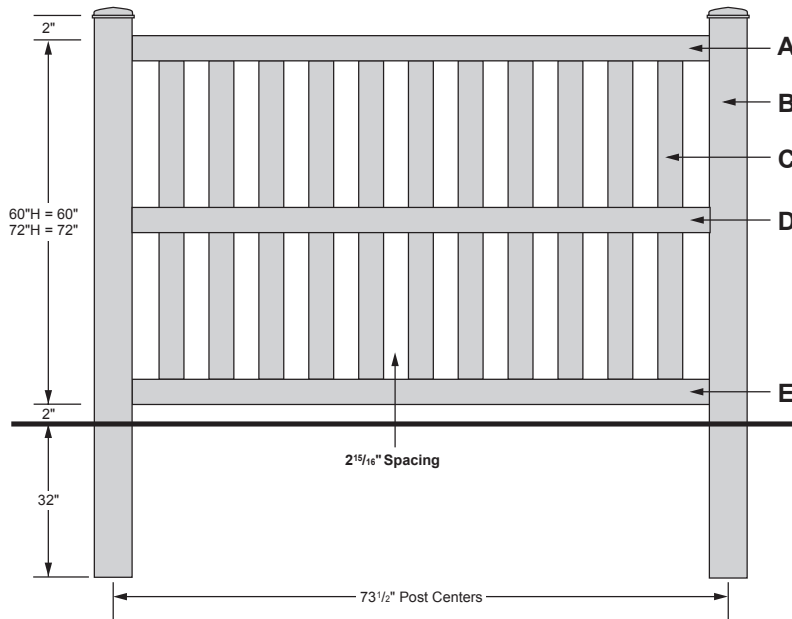


NE Flat Cap

Sections under or over 6' long - 15% extra for special fabrication
Colors Available - White, (Ivory & Gray - 15% Extra)(Clay & Cambium - 25% Extra)

Baron Yard Fence

60", 72" High



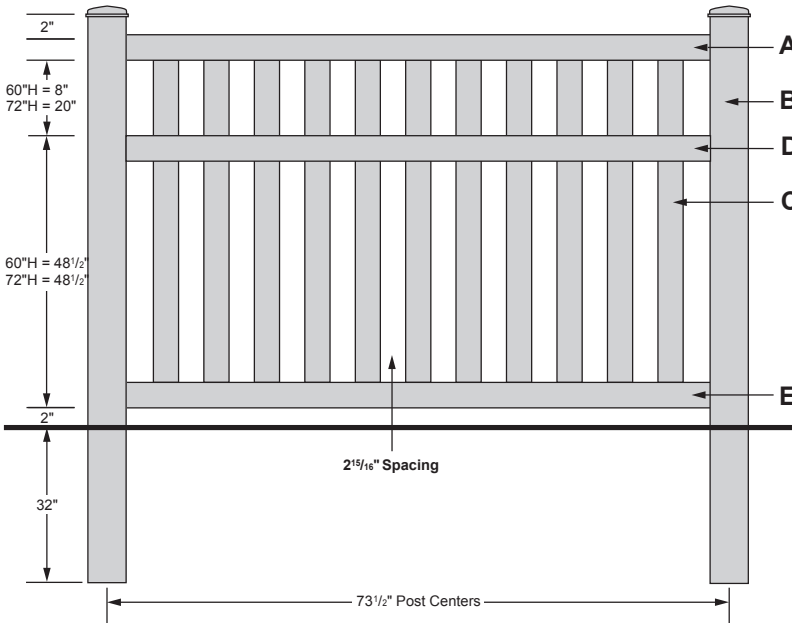
- A - 2" x 4" x 71½" Routed Rail
- B - 5" x 5" Posts
60" High = 96" Post Length
72" High = 107" Post Length
- C - (11) 7/8" x 3" Spokes
60" High = 59½" Spoke Length
72" High = 71½" Spoke Length
- D - (2) 7/8" x 3" x 71½" Crossmembers
- E - 2" x 4" x 71½" Routed Rail
(With Aluminum Channel)



POOL CODE STYLES REQUIRE 2 WEEK LEAD TIME



60", 72" High



- A - 2" x 4" x 71½" Routed Rail
- B - 5" x 5" Posts
60" High = 96" Post Length
72" High = 107" Post Length
- C - (11) 7/8" x 3" Spokes
60" High = 59½" Spoke Length
72" High = 71½" Spoke Length
- D - (2) 7/8" x 3" x 71½" Crossmembers
- E - 2" x 4" x 71½" Routed Rail
(With Aluminum Channel)

Product Information (6' Sections)

60", 72" High Baron Yard Fence. All sections include 1-post per section, additional posts available, see price sheet.

Optional Caps



60", 72" available to meet pool code.



Ball Cap

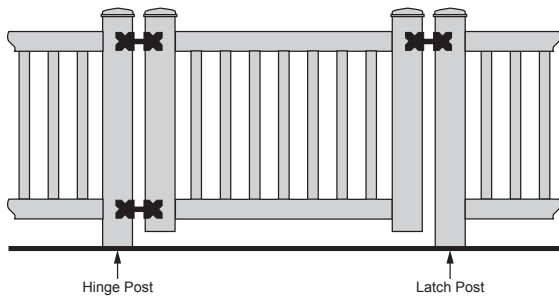


Spade Cap

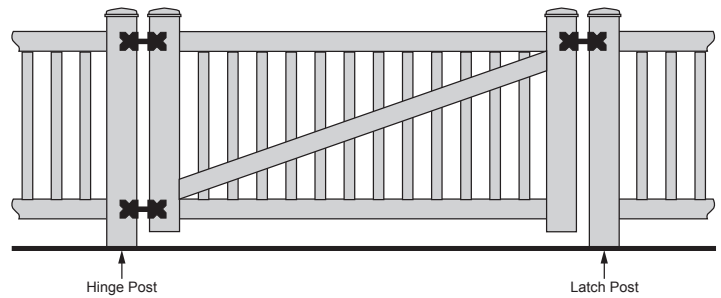


Sections under or over 6' long - 15% extra for special fabrication
Colors Available - White, (Ivory & Gray - 15% Extra)(Clay & Cambium - 25% Extra)

Baron Yard Fence - Gates



36" - 48" Wide



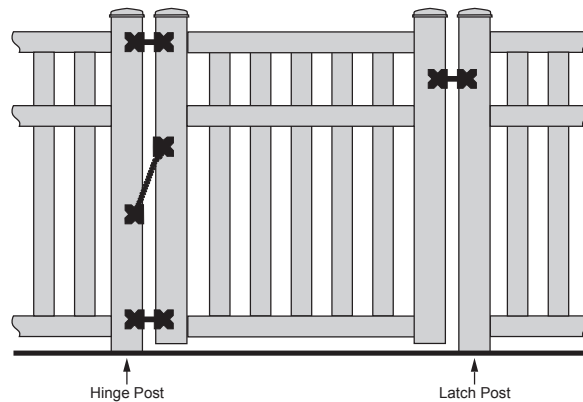
60" - 72" Wide with Brace

Hardware Recommended:

- Single Gates: 1- residential hinge set
 1- residential latch or 2-way latch set
 1- 4" aluminum post insert (*hinge post*)
- Double Gates: 2- residential hinge set
 1- residential latch or 2-way latch set
 1- residential drop pin kit
 2- 4" aluminum post insert (*hinge post*)



**Gingerbread
Scrolls Optional!**



36" Wide
 48" - 72" Wide need Gate Wheel

Hardware Recommended:

- Single Gates: 1- commercial hinge set
 1- commercial latch or 2-way latch set
 1- 5" aluminum post insert (*hinge post*)
 1- commercial spring sets (*must have!*)
- Double Gates: 2- commercial hinge set
 1- commercial latch or 2-way latch set
 1- commercial drop pin kit
 2- 5" aluminum post insert (*hinge post*)
 2- commercial spring sets (*must have!*)



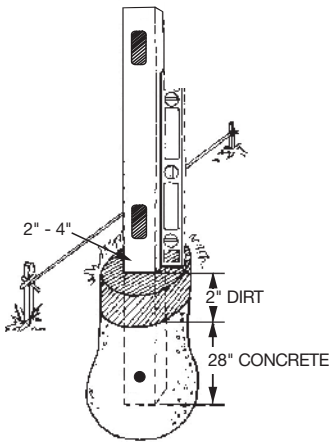
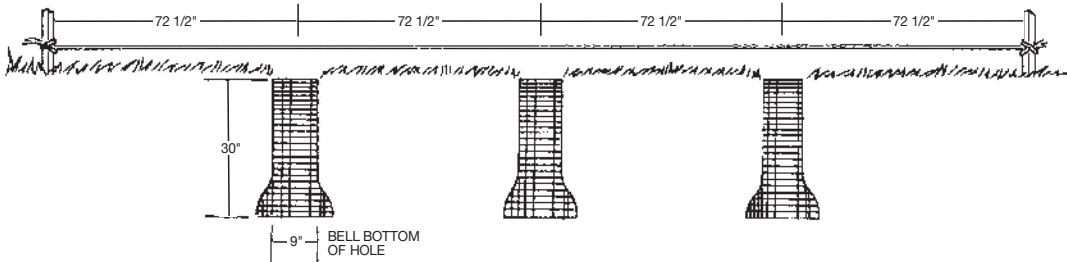
Note: bottom of gate latch must be 54" from ground level!

Victorian, Baron, Monarch, Ramada, and Witmer Yard Fence Installation Instructions

Step 1: Preparation and Digging

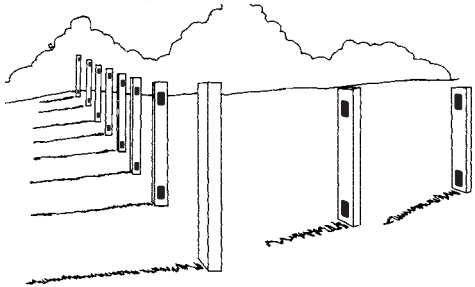
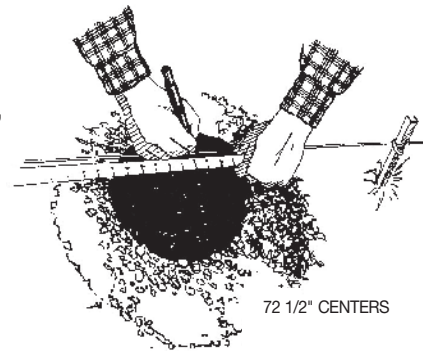
First, set stakes and stretch your line. Use spray paint to mark location of holes. Holes should be 28" deep and should be 72½" on center. We recommend a 9" hole auger.

Note: 5' and 6' high fence go 73½" center and use a 12" hole auger.



Step 2: Aligning of Fence Post

Set corner and end post and mark on string for 72½" centers. Using a 4' level, position post close to string without touching. When post is plumb, fill hole to 2" below ground level with concrete. Then fill the rest with dirt. Be sure that bottom of the routed hole on fence post is 2" or 4" above ground.



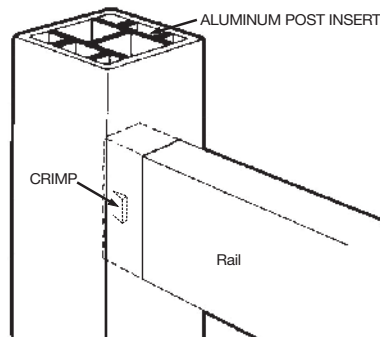
After all posts are in, sight across top of posts to ensure posts follow the contour of the land. Adjust posts accordingly and check for plumb by sighting down the side of the posts. Allow post to set over night before installing sections.

Step 3: Gate Post Installation

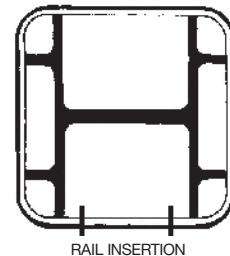
4" Post: *Standard*™ Residential and *Select*™ Hardware. Single gate opening should be 2" wider than gate. Double gate opening should be 3" wider than gate.

5" Post: *Standard*™ Commercial Hardware. Single gate opening should be 3" wider than gate. Double gate opening should be 4½" wider than gate.

Slip aluminum post insert into PVC post before inserting rails into post.



TOP VIEW
ALUMINUM POST INSERT



Note: Make sure the wide part of the aluminum insert is facing toward the holes in post.

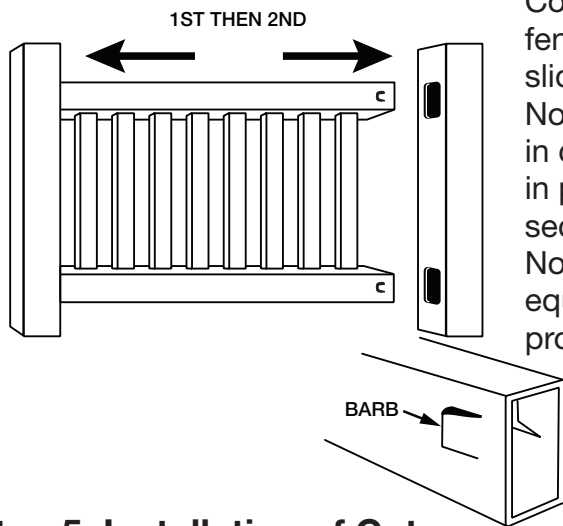
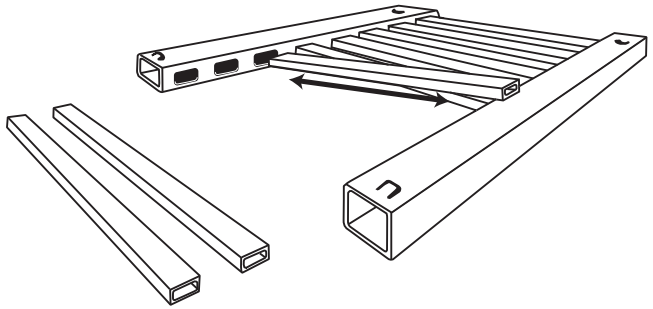
Victorian, Baron, Monarch, Ramada, and Witmer Yard Fence Installation Instructions

Step 4: Placing Section in Fence

Place bottom rail with steel channel inserted on flat surface and insert balusters into routed holes. Then position top rail on top of balusters and push together.

(There is no need to screw or glue them fast.)

This done, pick up the section and place rails into routed holes in post doing one side first and then the other. There is room in the post which allows the rails to move back and forth.



Continue until you have inserted all the sections of the fence system into the post. Each rail has a barb that slides in and locks the section in place.

Note: 5' or 6' high fence, slide 1" x 3" horizontal rail in center of fence (on both sides) into routed holes in post. Fasten with (5) 2¼" stainless steel screws per section.

Note: Be sure when cutting rails to fit that you cut an equal amount on both sides of rail so as to ensure a proper fit.

Note: 2-way latch and gate springs available. Gate springs must be used for



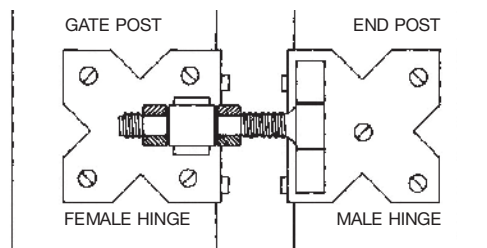
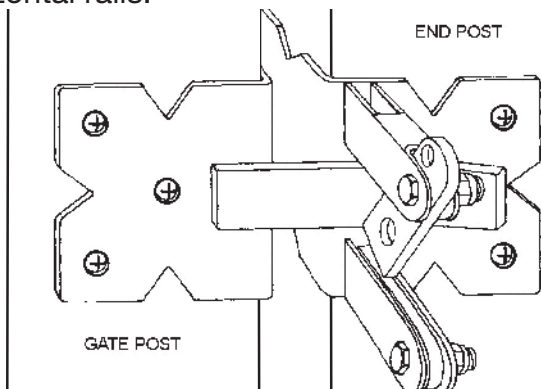
Step 5: Installation of Gate

The gate hardware can be used for a right or left hand opening.

It simply is a matter of reversing the clappers and the latches. Shown below is the proper positioning of the gate hardware latch.

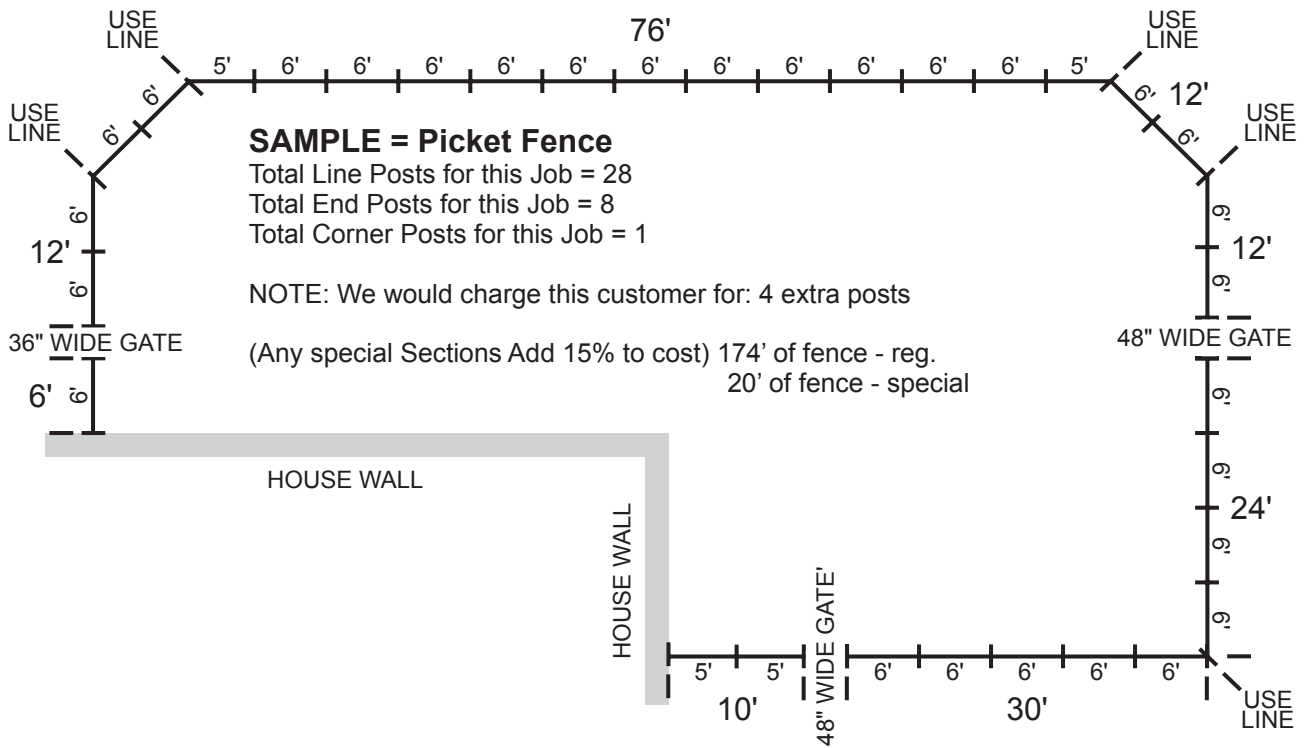
Bottom of latch must be 54" from ground level for 

Note: Looks best when hinges line up with horizontal rails.



Hinges should be installed as such: the male hinge is mounted on the end post and has adjustable nuts to compensate for opening. The female hinge is mounted on the gate itself.

Recommended Sketch Drawing For Fence



NOTE: Post Spacing Differs on Styles of Fence

Answers Needed for These Questions:

- Height of Fence? _____
- Style of Fence? _____
- How Many Line Posts? _____
- How Many End Posts? _____
- How Many Corner Posts? _____
- What Style Caps? _____
- Width of Each Gate? _____
- How Many Hinges? _____
- How Many Latches? _____
- How Many Drop Pin Kits? _____
- How Many Post Inserts? _____