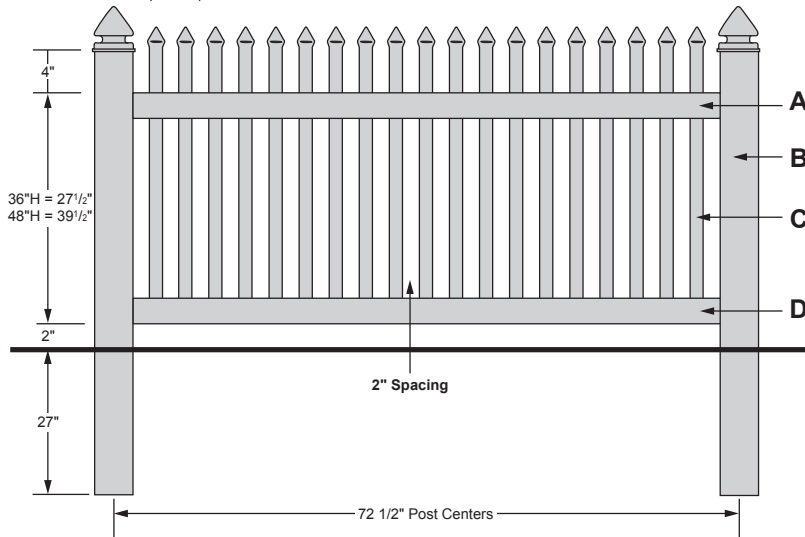


Classic Straight Picket Fence

New!
4"x4"
Post

1 1/2" Picket - 36", 48" High



A - 2" x 4" x 71 1/2" Double Routed Rail

B - 4" x 4" Posts

36" High = 60" Post Length

48" High = 72" Post Length

C - (19) 7/8" x 1 1/2" Notched Pickets

36" High = 34" Long Pickets

48" High = 46" Long Pickets

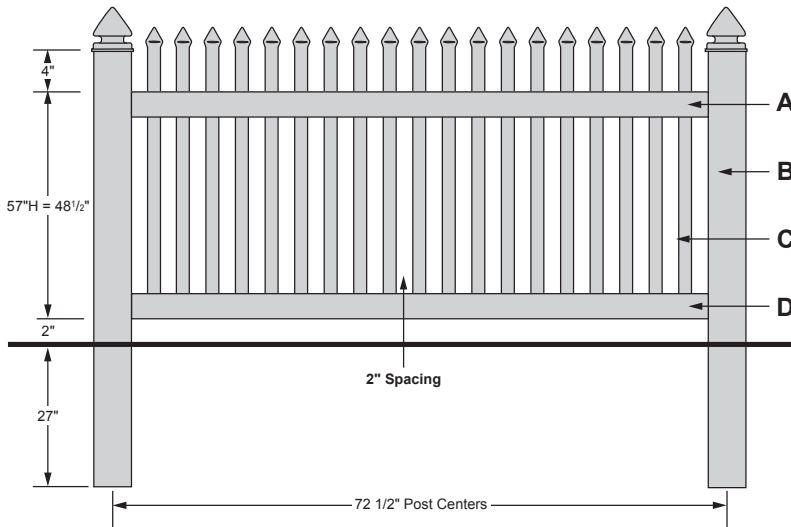
D - 2" x 4" x 71 1/2" Routed Rail
(With Aluminum Channel)



POOL CODE STYLES REQUIRE 2 WEEK LEAD TIME



1 1/2" Picket - 57" High



A - 2" x 4" x 71 1/2" Double Routed Rail

B - 4" x 4" Posts

57" High = 82" Post Length

C - (19) 7/8" x 1 1/2" Notched Pickets

57" High = 55" Long Pickets

D - 2" x 4" 71 1/2" Routed Rail
(With Aluminum Channel)

Product Information (6' Sections)

1 1/2" x 36", 48" High Classic Straight Picket Fence. All sections include 1-post per section, additional posts available, see price sheet.



57" available to meet pool code.

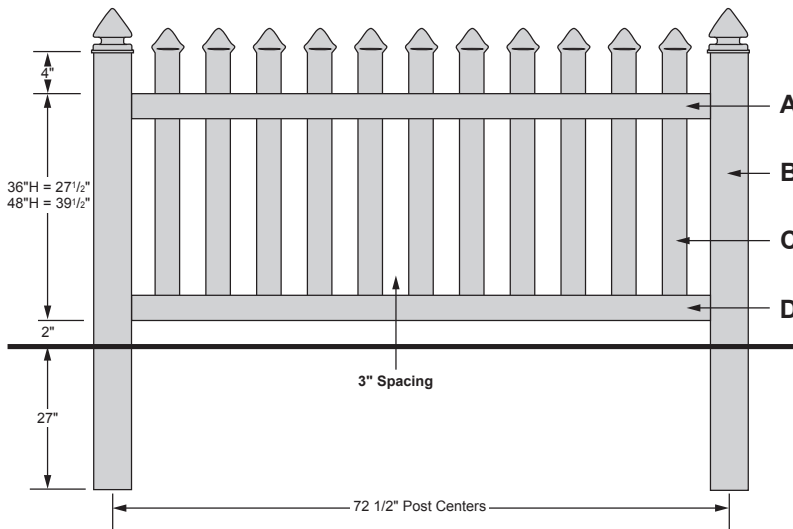
Special Note: All Classic picket fences grade acceptance 7" over 6' = 6° angle

Sections under or over 6' long - 15% extra for special fabrication

Colors Available - White, (Ivory & Gray - 15% Extra)(Clay - 25% Extra)

Classic Straight Picket Fence

3" Picket - 36", 48" High



A - 2" x 4" x 71½" Double Rounded Rail

B - 4" x 4" Posts
 36" High = 60" Post Length
 48" High = 72" Post Length

C - (11) 7/8" x 3" Notched Pickets
 36" High = 34" Long Pickets
 48" High = 46" Long Pickets

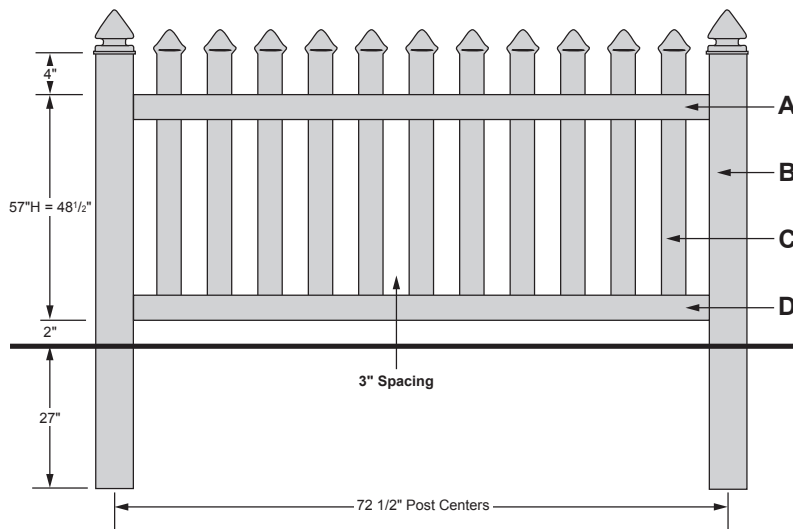
D - 2" x 4" x 71½" Rounded Rail
 (With Aluminum Channel)



POOL CODE STYLES REQUIRE 2 WEEK LEAD TIME



3" Picket - 57" High



A - 2" x 4" x 71½" Double Rounded Rail

B - 4" x 4" Posts
 57" High = 82" Post Length

C - (11) 7/8" x 3" Notched Pickets
 57" High = 55" Long Pickets

D - 2" x 4" x 71½" Rounded Rail
 (With Aluminum Channel)

Product Information (6' Sections)

3" x 36", 48" High Classic Straight Picket Fence. All sections include 1-post per section, additional posts available, see price sheet.



57" available to meet pool code.

Special Note: All Classic picket fences grade acceptance 7" over 6' = 6° angle

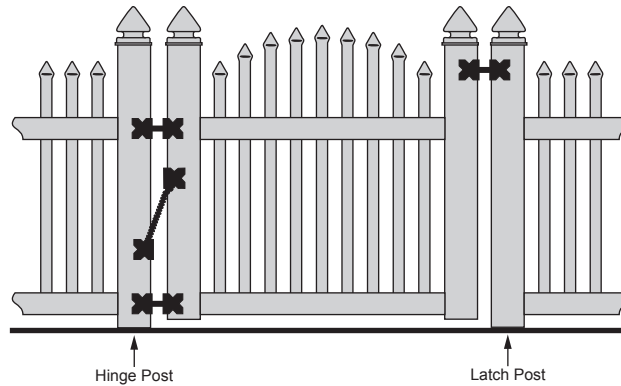
Sections under or over 6' long - 15% extra for special fabrication

Colors Available - White, (Ivory & Gray - 15% Extra)(Clay & Cambium - 25% Extra)

Classic Straight Picket Fence - Gates



1 1/2" Picket Shown Below
(Braces are not required for this style)



36" - 48" Wide Only

57" High

Hardware Recommended:

- Single Gates: 1- residential hinge set
1- residential latch or 2-way latch set
1- 4" aluminum post insert (*hinge post*)
1- residential spring sets (*must have!*)
- Double Gates: 2- residential hinge set
1- residential latch or 2-way latch set
1- residential drop pin kit
2- 4" aluminum post insert (*hinge post*)
2- residential spring sets (*must have!*)

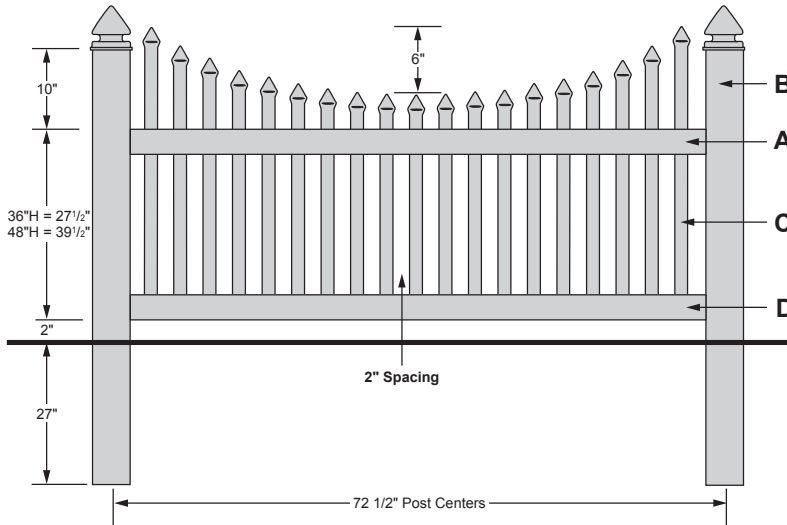


Note: bottom of gate latch must be 54" from ground level!

Classic Concave Picket Fence



1½" Picket - 36", 48" High (Measurements taken at low point)



A - 2" x 4" x 71½" Double Routed Rail

B - 4" x 4" Posts
36" High = 66" Post Length
48" High = 82" Post Length

C - (19) 7/8" x 1½" Notched & Numbered Pickets
36" High = 34" Short Pickets
40" Long Pickets
48" High = 46" Short Pickets
52" Long Pickets

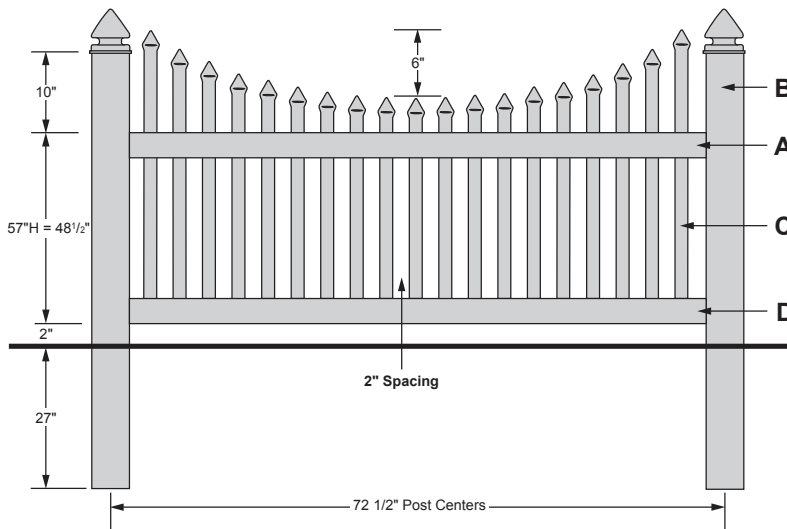
D - 2" x 4" x 71½" Routed Rail
(With Aluminum Channel)



POOL CODE STYLES REQUIRE 2 WEEK LEAD TIME



1½" Picket - 57" High (Measurements taken at low point)



A - 2" x 4" x 71½" Double Routed Rail

B - 4" x 4" Posts
57" High = 90" Post Length

C - (19) 7/8" x 1½" Notched & Numbered Pickets
57" High = 55" Short Pickets
61" Long Pickets

D - 2" x 4" x 71½" Routed Rail
(With Aluminum Channel)

Product Information (6' Sections)

1½" x 36", 48" High Classic Concave Picket Fence. All sections include 1-post per section, additional posts available, see price sheet.



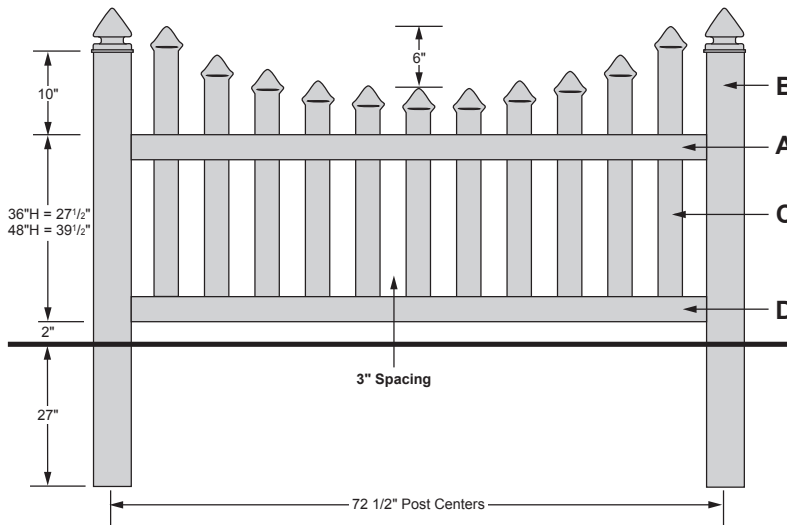
57" available to meet pool code.

Special Note: All Classic picket fences grade acceptance 7" over 6' = 6° angle

Sections under or over 6' long - 15% extra for special fabrication
Colors Available - White, (Ivory & Gray - 15% Extra)(Clay - 25% Extra)

Classic Concave Picket Fence

3" Picket - 36", 48" High (Measurements taken at low point)



A - 2" x 4" x 71½" Double Routed Rail

B - 4" x 4" Posts
36" High = 66" Post Length
48" High = 82" Post Length

C - (11) 7/8" x 3" Notched & Numbered Pickets
36" High = 34" Short Pickets
40" Long Pickets
48" High = 46" Short Pickets
52" Long Pickets

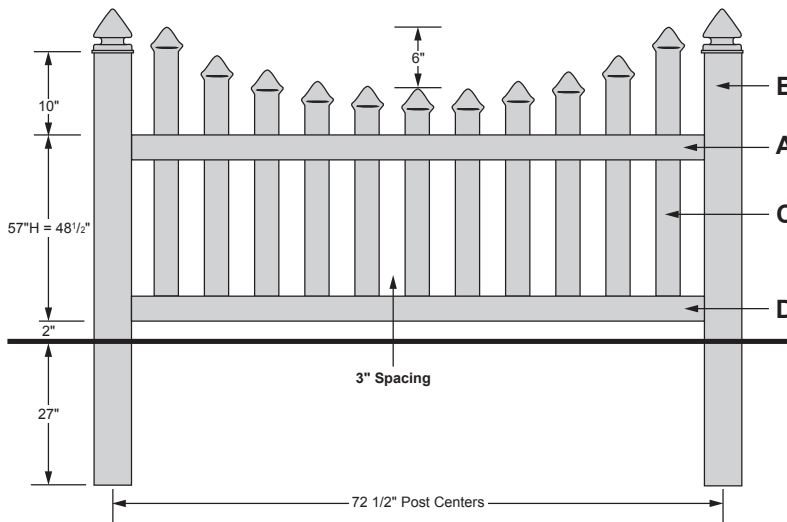
D - 2" x 4" x 71½" Routed Rail
(With Aluminum Channel)



POOL CODE STYLES REQUIRE 2 WEEK LEAD TIME



3" Picket - 57" High (Measurements taken at low point)



A - 2" x 4" x 71½" Double Routed Rail

B - 4" x 4" Posts
57" High = 90" Post Length

C - (11) 7/8" x 3" Notched & Numbered Pickets
57" High = 61" Short Pickets
55" Long Pickets

D - 2" x 4" x 71½" Routed Rail
(With Aluminum Channel)

Product Information (6' Sections)

3" x 36", 48" High Classic Concave Picket Fence. All sections include 1-post per section, additional posts available, see price sheet.



57" available to meet pool code.

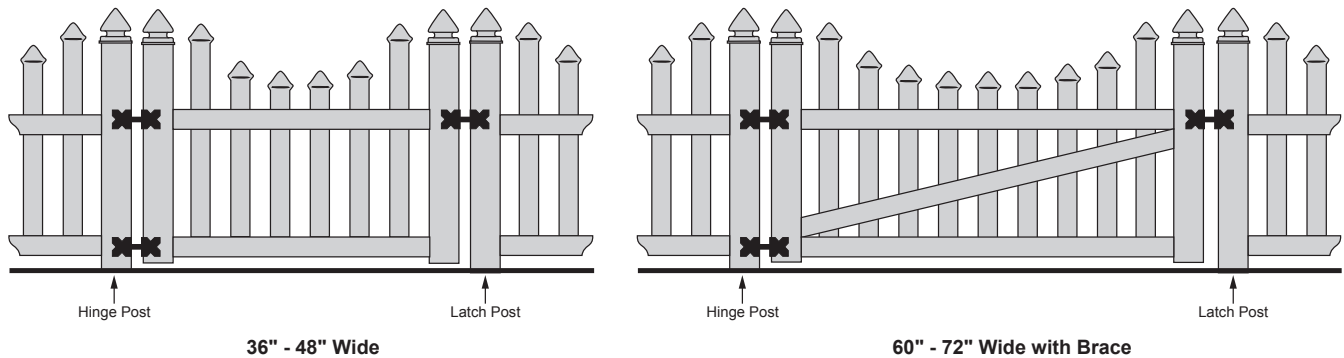
Special Note: All Classic picket fences grade acceptance 7" over 6' = 6° angle

Sections under or over 6' long - 15% extra for special fabrication

Colors Available - White, (Ivory & Gray - 15% Extra)(Clay & Cambium - 25% Extra)

Classic Concave Picket Fence - Gates

3" Picket Shown Below



36" - 48" High

Hardware Recommended:

- Single Gates: 1- residential hinge set
1- residential latch or 2-way latch set
1- 4" aluminum post insert (*hinge post*)
- Double Gates: 2- residential hinge set
1- residential latch or 2-way latch set
1- residential drop pin kit
2- 4" aluminum post insert (*hinge post*)

60" - 72" High

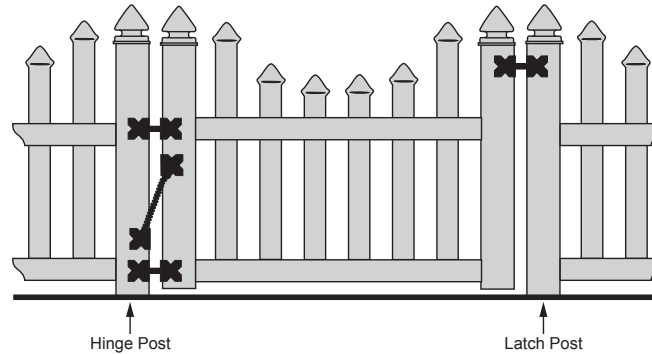
Hardware Recommended:

- Single Gates: 1- commercial hinge set
1- commercial latch or 2-way latch set
1- 5" aluminum post insert (*hinge post*)
- Double Gates: 2- commercial hinge set
1- commercial latch or 2-way latch set
1- commercial drop pin kit
2- 5" aluminum post insert (*hinge post*)

Classic Concave Picket Fence - Gates



3" Picket Shown Below



36" - 48" Wide

57" High

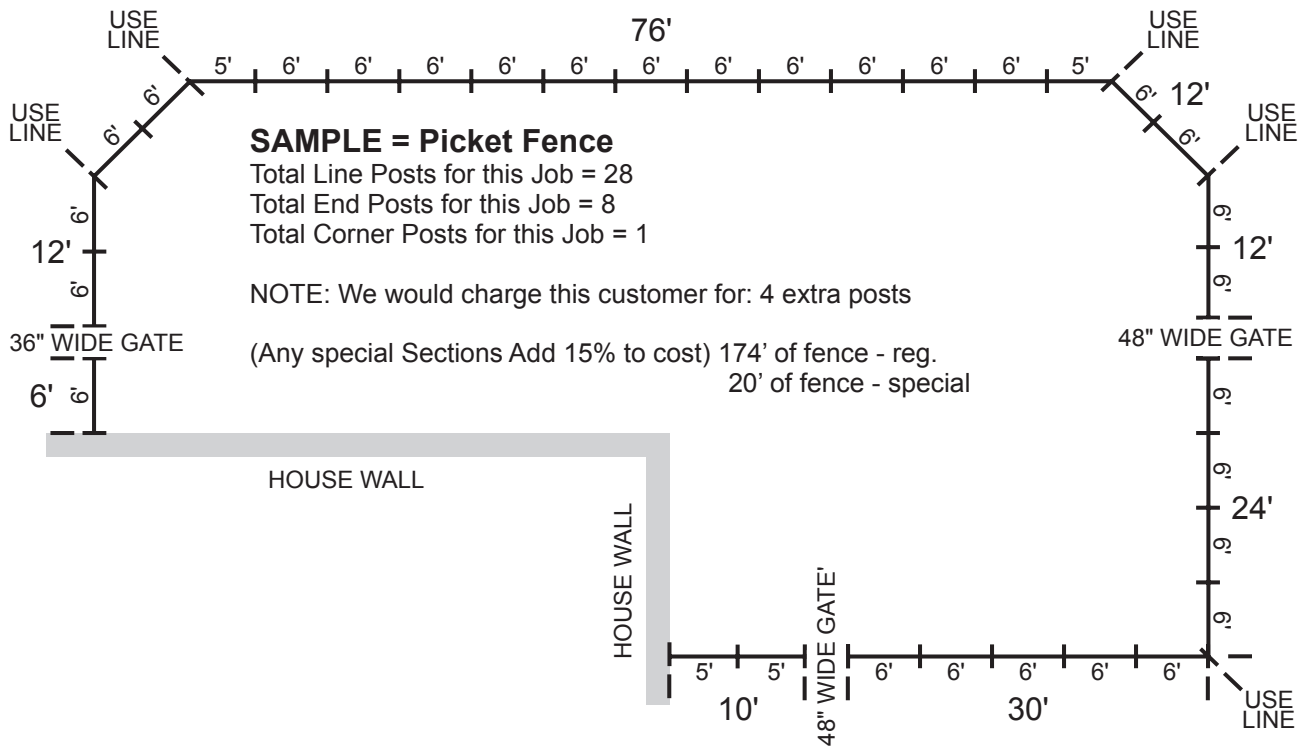
Hardware Recommended:

- Single Gates: 1- residential hinge set
1- residential latch or 2-way latch set
1- 4" aluminum post insert (*hinge post*)
1- residential spring sets (*must have!*)
- Double Gates: 2- residential hinge set
1- residential latch or 2-way latch set
1- residential drop pin kit
2- 4" aluminum post insert (*hinge post*)
2- residential spring sets (*must have!*)



Note: bottom of gate latch must be 54" from ground level!

Recommended Sketch Drawing For Fence



NOTE: Post Spacing Differs on Styles of Fence

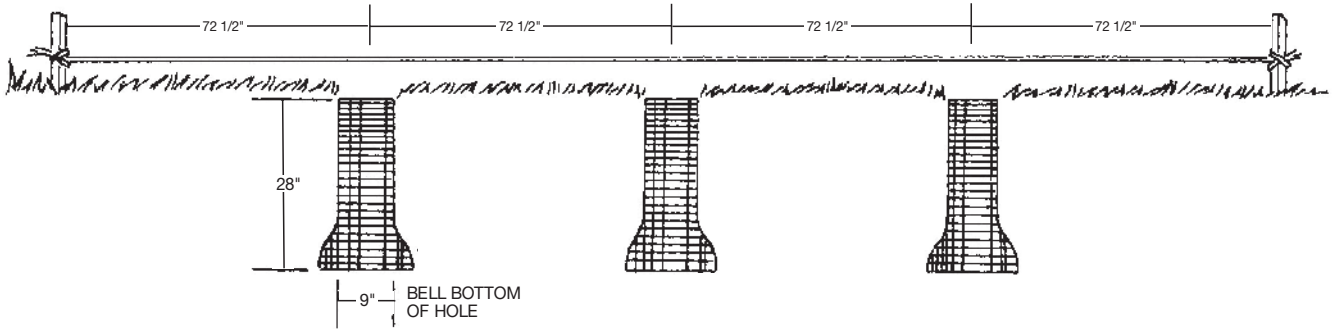
Answers Needed for These Questions:

- Height of Fence? _____
- Style of Fence? _____
- How Many Line Posts? _____
- How Many End Posts? _____
- How Many Corner Posts? _____
- What Style Caps? _____
- Width of Each Gate? _____
- How Many Hinges? _____
- How Many Latches? _____
- How Many Drop Pin Kits? _____
- How Many Post Inserts? _____

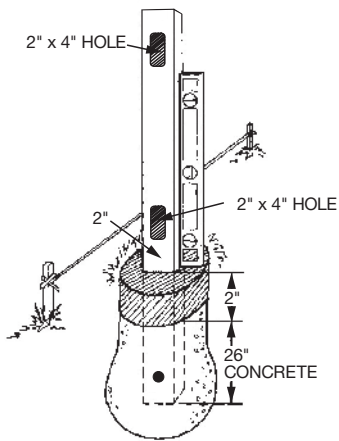
Classic and Columbia Picket Fence Installation Instructions

Step 1: Preparation and Digging

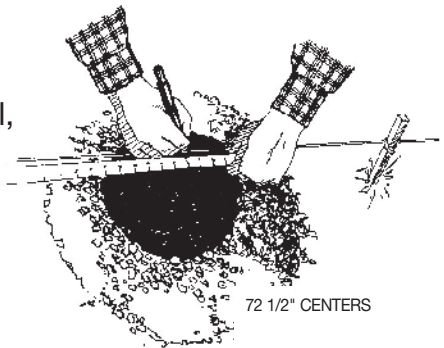
First, set stakes and stretch your line. Use spray paint to mark location of holes. Holes should be 28" deep and should be 72½" on center. We recommend a 9" hole auger.



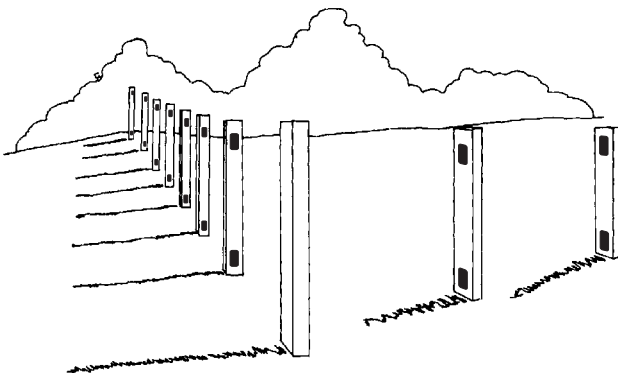
Step 2: Aligning of Fence Post



Set corner and end post and mark on string for 72½" centers. Using a 4' level, position post close to string without touching. When post is plumb, fill hole to 2" below ground level with concrete. Then fill the rest with dirt. Be sure that bottom of the routed hole on fence post is 2" above ground.



For ease of installation, mark your level where top of post should be allowing for 2" spacing of bottom routed hole, keeping your level on the ground.



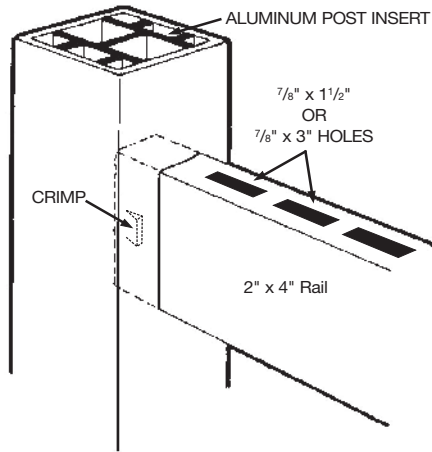
After all posts are in, sight across top of posts to ensure posts follow the contour of the land. Adjust posts accordingly and check for plumb by sighting down the side of the posts. Allow posts to set over-night before installing sections.

Classic and Columbia Picket Fence Installation Instructions

Step 3: Gate Post Installation

4" Posts: "Standard"™ Residential and "Select"™ Hardware. Single Gate opening should be 2" wider than gate. Double Gate opening should be 3" wider than gate.

Slip aluminum post insert into PVC post before inserting rails into posts.

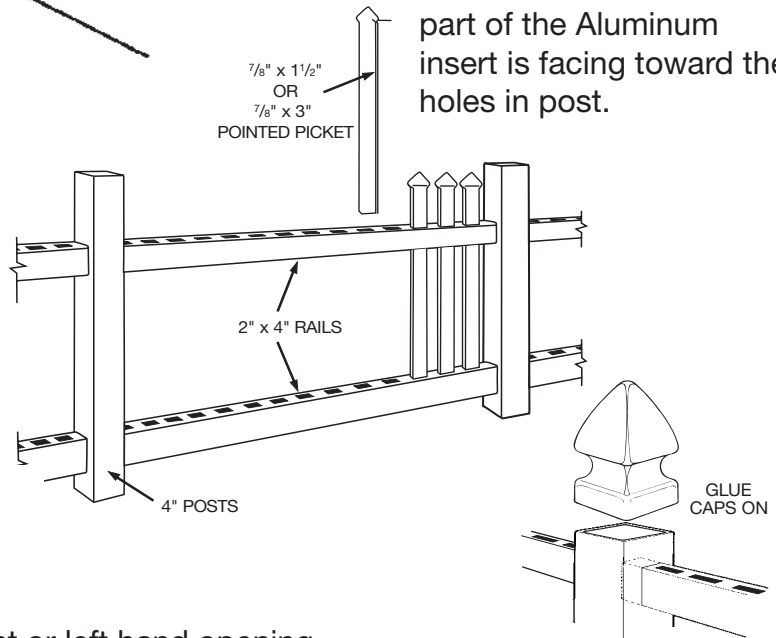


Note: Make sure the wide part of the Aluminum insert is facing toward the holes in post.

Step 4: Placing Section in Fence

(2 x 4 bottom rail with aluminum channel, 2 x 4 top rail with picket size holes facing up)

Insert pickets into routed holes with crimped end snapping into bottom 2 x 4 rail.



Note: Gate springs available. Gate springs must be used for (2-way latch available for 4" posts)

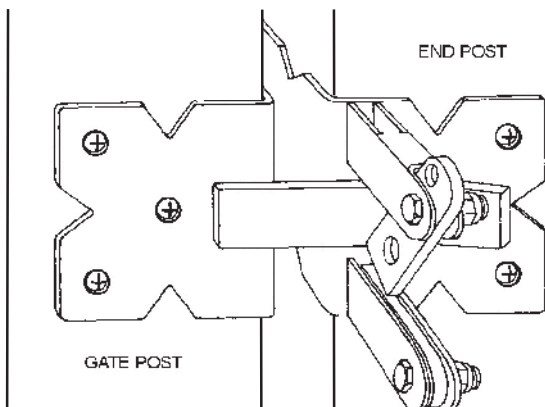


Step 5: Installation of Gate

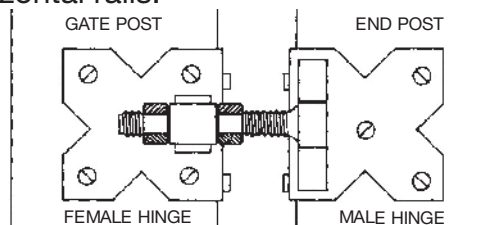
The gate hardware can be used for a right or left hand opening.

It simply is a matter of reversing the clappers and the latches. Shown below is the proper positioning of the gate hardware latch.

Bottom of latch must be 54" from ground level for 



Note: Looks best when hinges line up with horizontal rails.



Hinges should be installed as such: the male hinge is mounted on the end post and has adjustable nuts to compensate for opening. The female hinge is mounted on the gate itself.