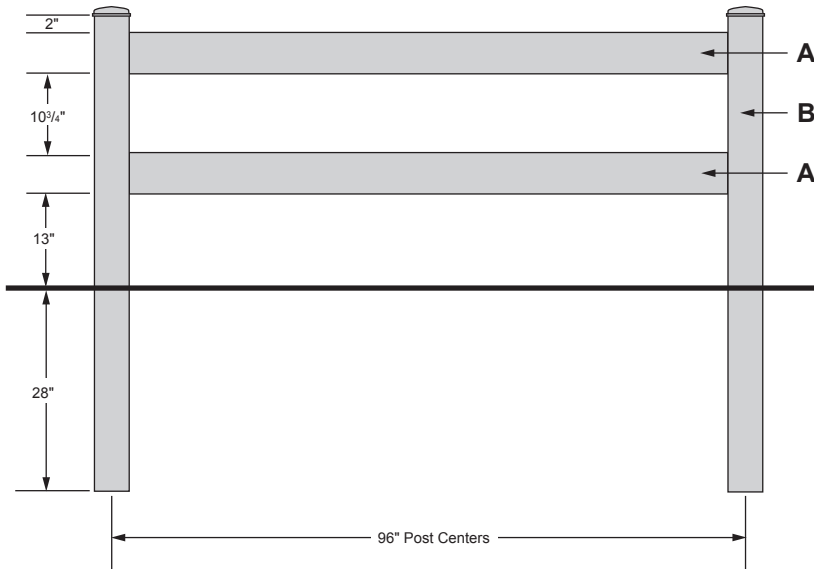


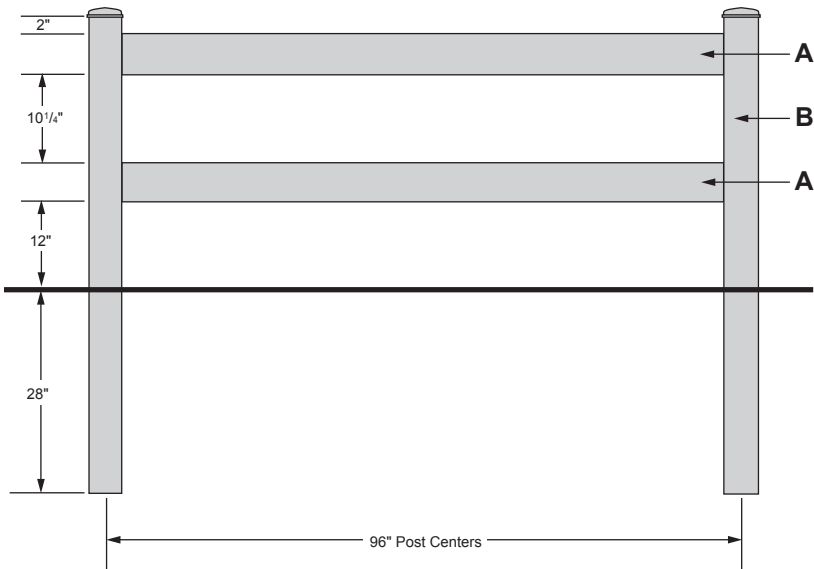
2-Rail Horse Fence



**Also Available
in CertaGrain™**

A - 1 1/2" x 5 1/2" x 8' or 16' Rails

B - 5" x 5" x 66" Posts



A - 2" x 6" x 8' or 16' Rails

B - 5" x 5" x 66" Posts

Product Information

2-Rail Horse Fence (1 1/2" x 5 1/2") All sections include 1-post per section, additional posts available, see price sheet.

2-Rail Horse Fence (2" x 6") All sections include 1-post per section, additional posts available, see price sheet.

Trailer Load Discounts Available

Sections under or over 8' long - 15% extra for special fabrication

Colors Available - White, (Ivory & Gray - 15% Extra)

CertaGrain™ Colors Available - White Only (50% more than White PVC)

Optional Caps



Ball Cap



Spade Cap

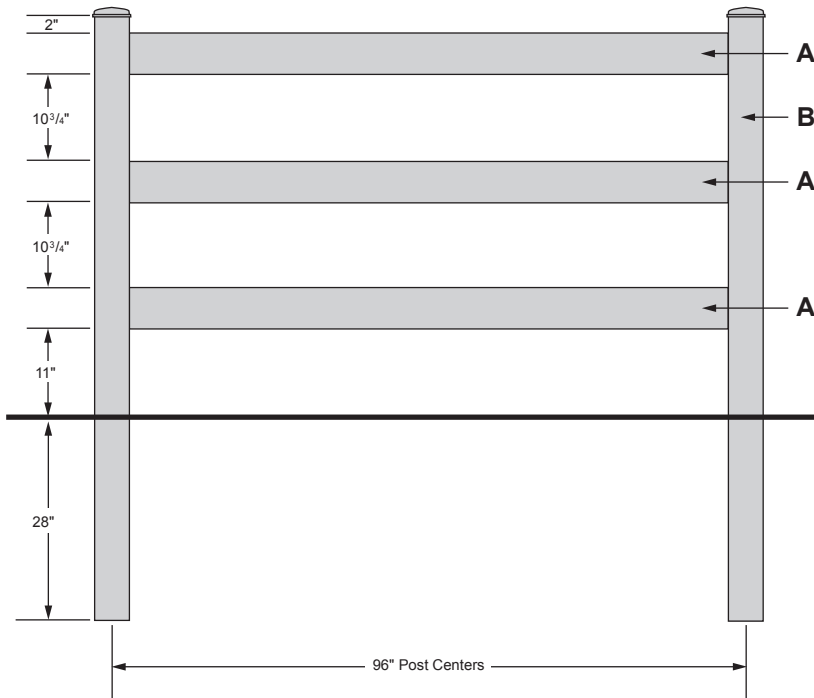


NY Flat Cap



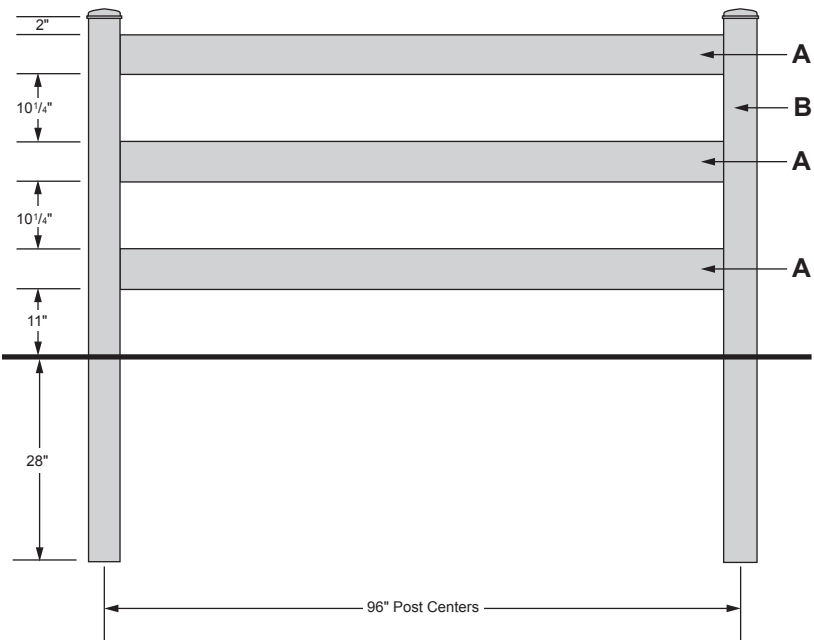
NE Flat Cap

3-Rail Horse Fence



**Also Available
in CertaGrain™**

A - 1 1/2" x 5 1/2" x 8' or 16' Rails
B - 5" x 5" x 78" Posts



A - 2" x 6" x 8' or 16' Rails
B - 5" x 5" x 78" Posts

Product Information

3-Rail Horse Fence (1 1/2" x 5 1/2") All sections include 1-post per section, additional posts available, see price sheet.

3-Rail Horse Fence (2" x 6") All sections include 1-post per section, additional posts available, see price sheet.

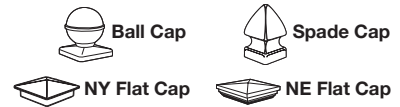
Trailer Load Discounts Available

Sections under or over 8' long - 15% extra for special fabrication

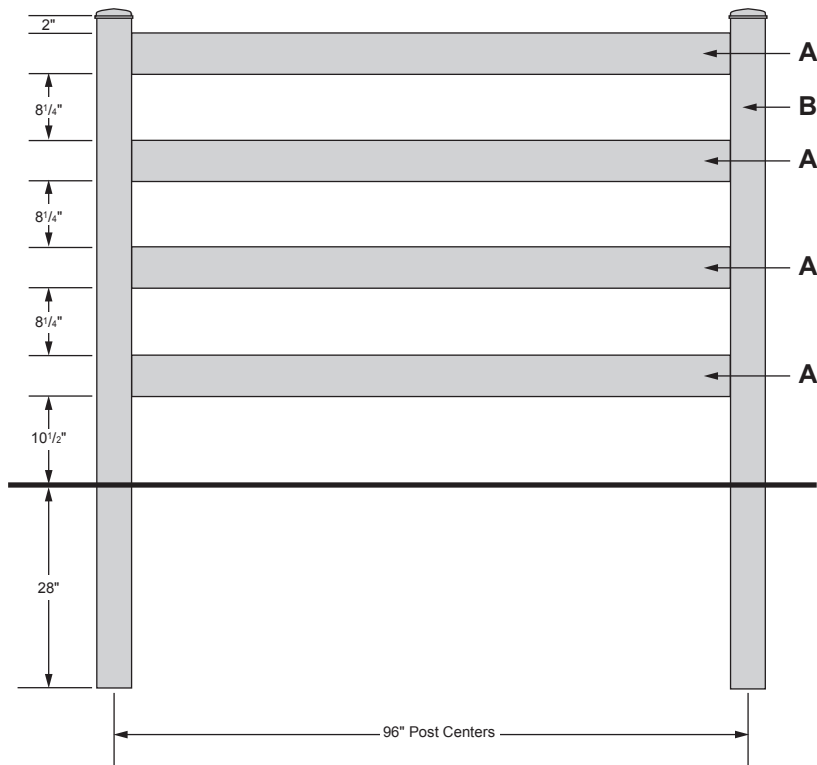
Colors Available - White, (Ivory & Gray - 15% Extra)

CertaGrain™ Colors Available - White Only (50% more than White PVC)

Optional Caps

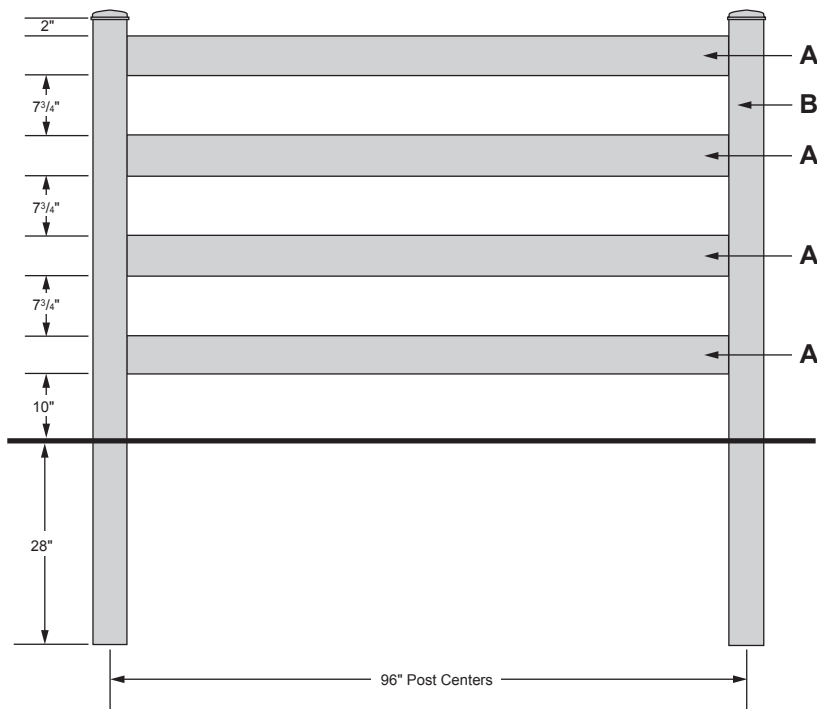


4-Rail Horse Fence



A - 1 1/2" x 5 1/2" x 8' or 16' Rails

B - 5" x 5" x 90" Posts



A - 2" x 6" x 8' or 16' Rails

B - 5" x 5" x 90" Posts

Product Information

4-Rail Horse Fence (1 1/2" x 5 1/2") All sections include 1-post per section, additional posts available, see price sheet.

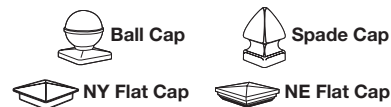
4-Rail Horse Fence (2" x 6") All sections include 1-post per section, additional posts available, see price sheet.

Trailer Load Discounts Available

Sections under or over 8' long - 15% extra for special fabrication

Colors Available - White, (Ivory & Gray - 15% Extra)

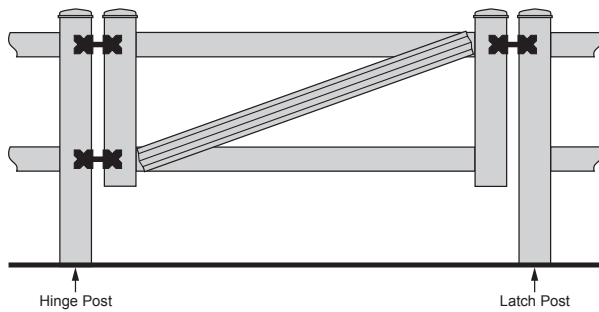
Optional Caps



Horse Fence - Gates

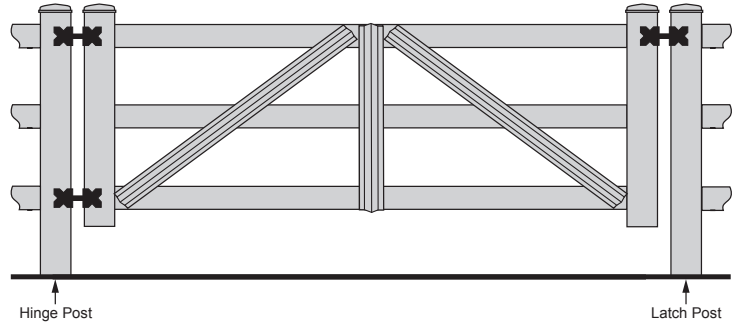
1½" x 5½" or 2" x 6"

2 Rail Fence Gate



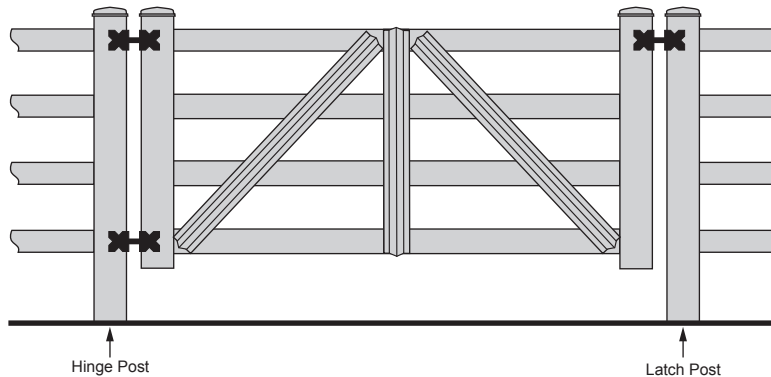
4' - 8' Wide Gate w/Braces

3 Rail Fence Gate



4' - 10' Wide Gate w/Braces

4 Rail Fence Gate



4' - 10' Wide Gate w/braces

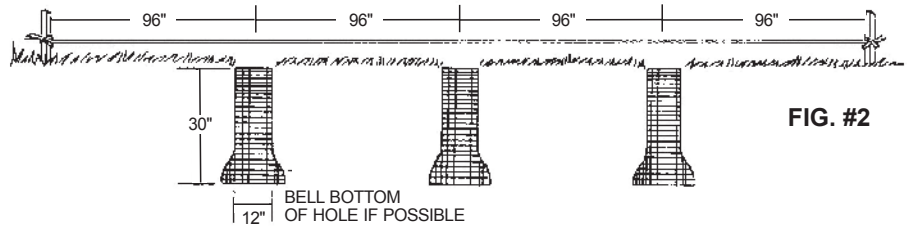
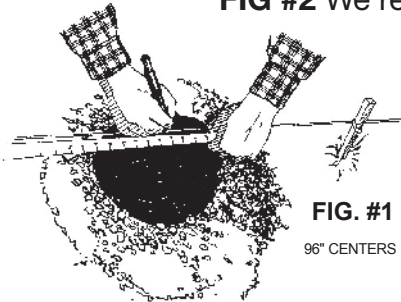
Hardware Recommended:

- Single Gates: 1- commercial hinge set
1- commercial latch or 2-way latch set
1- 5" aluminum post insert (*hinge post*)
- Double Gates: 2- commercial hinge set
1- commercial latch or 2-way latch set
1- commercial drop pin kit
2- 5" aluminum post insert (*hinge post*)

Horse Fence Installation Instructions

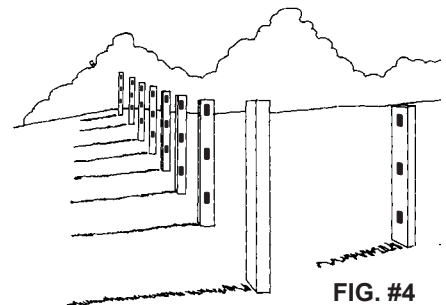
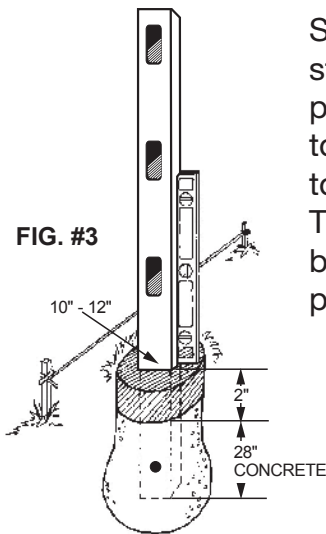
Step 1: Preparation and Digging

First, set stakes and stretch your line. Use spray paint to mark location of holes. **FIG #1** Holes should be 30" deep and should be 96" on center. **FIG #2** We recommend a 12" hole auger.



Step 2: Aligning of Fence Post

Set corner and end post and mark on string for 96" centers. Using a 4' level, position post close to string without touching. When post is plumb, fill hole to 2" below ground level with concrete. Then fill the rest with dirt. Be sure that bottom of the routed hole on fence post is 10" - 12" above ground. **FIG #3**



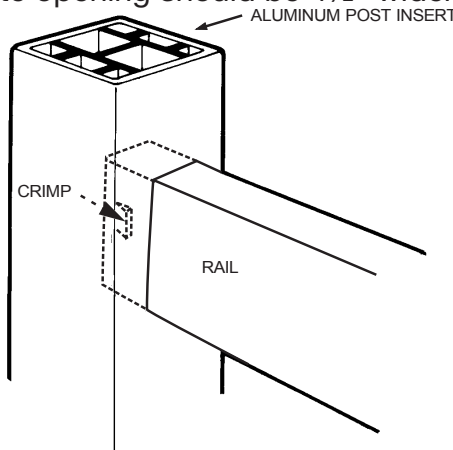
FOLLOW CONTOUR OF LAND AND AVOID CHOPPY UP AND DOWN LOOK

After all posts are in, sight across top of posts to ensure posts follow the contour of the land. Adjust posts accordingly and check for plumb by sighting down the side of the posts. **Fig #4**

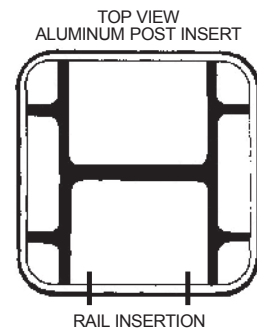
Step 3: Gate Post Installation

4" Post: Single gate opening should be 2" wider than gate
Double gate opening should be 3" wider than gate

5" Post: Single gate opening should be 3" wider than gate
Double gate opening should be 4½" wider than gate



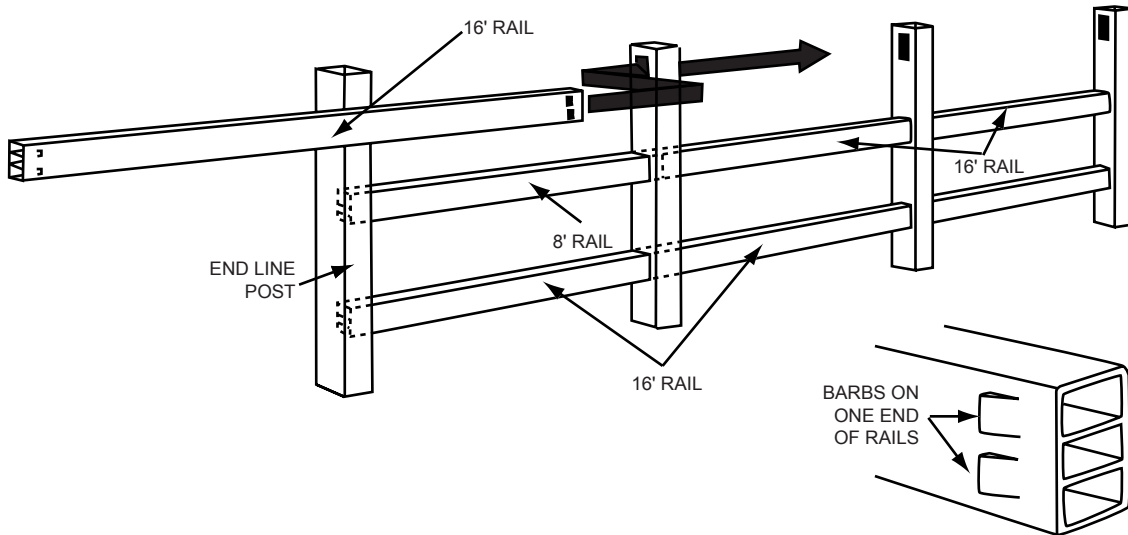
Slip aluminum post insert into PVC post before inserting rails into post.



Note: Make sure the wide part of the aluminum insert is facing toward the holes in post.

Horse Fence Installation Instructions

First, using a 16' rail and starting at the bottom, slide the rail through the routed hole in the first post (that is the next to the end post) as shown in **Fig #5**. Next, using an 8' rail slide it through the middle routed hole in the same post. Finally, slide another 16' rail through the top routed hole of the post. Continue installing the rails in this fashion, making certain to stagger the middle rails.

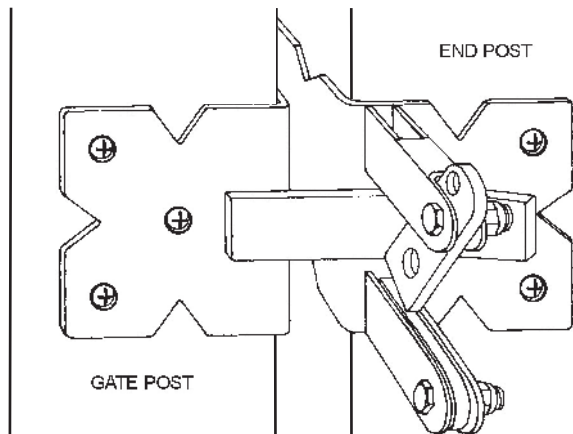


Note: 2-way latch and gate springs available.

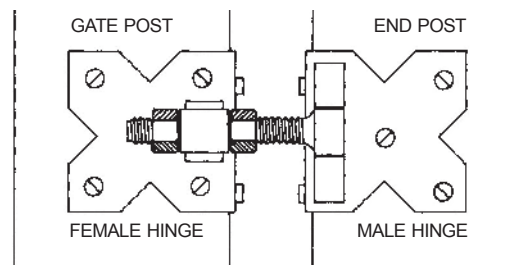
Step 5: Installation of Gate

The gate hardware can be used for a right or left hand opening.

It simply is a matter of reversing the clappers and the latches. Shown below is the proper positioning of the gate hardware latch.



Hinges should be installed as such: the male hinge is mounted on the end post and has adjustable nuts to compensate for opening. The female hinge is mounted on the gate itself.



Note: Looks best when hinges line up with horizontal rails.