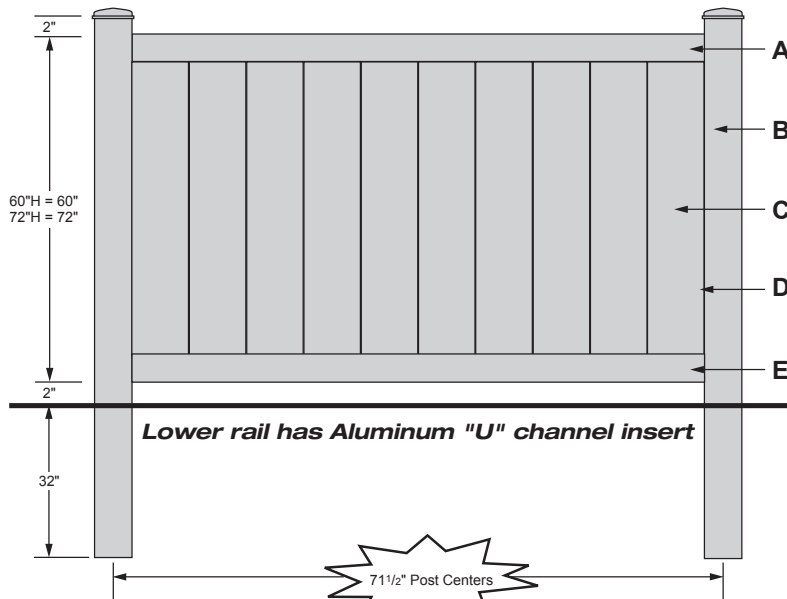


Cambium™ Manor Fence

Wood Looks without Wood Work™

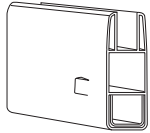
60", 72" High



- A - 1 3/4" x 5 1/2" x 71" Rail
- B - 5" x 5" Posts
60" High = 96" Post Length
72" High = 107" Post Length
- C - (11) 7/8" x 6" T&G Spokes
60" High = 52" Spoke Length
72" High = 64" Spoke Length
- D - (2) 7/8" Side Channels
- E - 1 3/4" x 5 1/2" x 71 1/2" Rail
(With Aluminum U-Channel)

Lower rail has Aluminum "U" channel insert

60", 72" High Cambium Yard Fence.



1 3/4" x 5 1/2"
Rail w/ribs



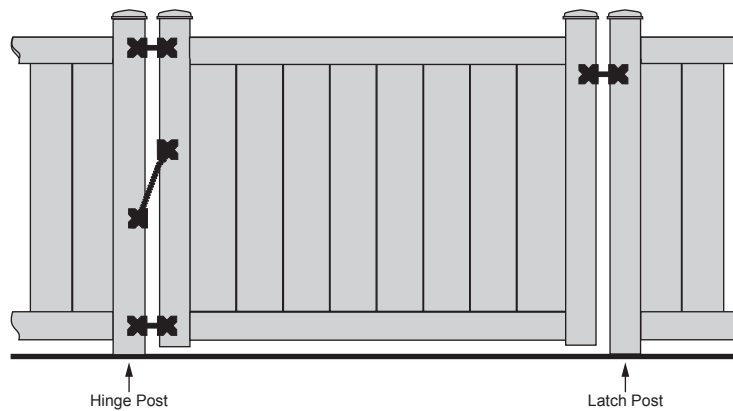
60", 72" available to meet pool code.

Requires 5" Cap, Q Flat, Ball or Spade.
Caps not included. See page 2 for options.

Sections under or over 6' long - 15% extra for special fabrication
Colors Available - Driftwood & Cedar

Cambium™ Manor Gates

Wood Looks without Wood Work™

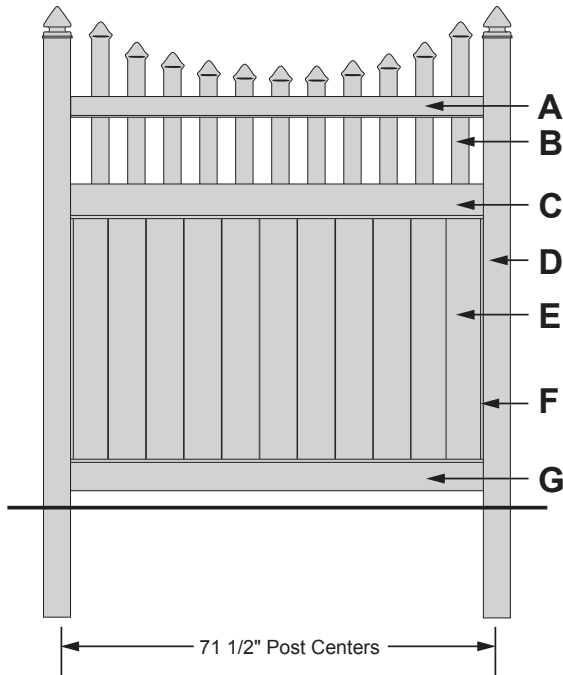


60", 72" High

Hardware Recommended: Premier

- Single Gates: 1- hinge set
1- latch or 2-way latch set
1- 5" aluminum post insert (*hinge post*)
- Double Gates: 2- hinge set
1- latch or 2-way latch set
1- drop pin kit
2- 5" aluminum post insert (*hinge post*)

72" High



A - 2" x 3½" x 71" Double Routed Rail

B - (11) 7/8" x 3" Notched Pickets

C - 1¾" x 5½" x 71" Slotted Rail

D - 5" x 5" x 107" Post

E - (11) 7/8" x 6" T&G Panels

F - (2) 7/8" Side Channels

G - 1¾" x 5½" x 71" Slotted Rail
(with Aluminum Insert)

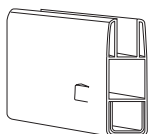


POOL CODE STYLES REQUIRE 2 WEEK LEAD TIME



Product Information (6' Sections)

72" High Cambium Manor Fence with 3" Classic Accent.



1¾" x 5½"
Rail w/ribs



72" available to meet pool code.

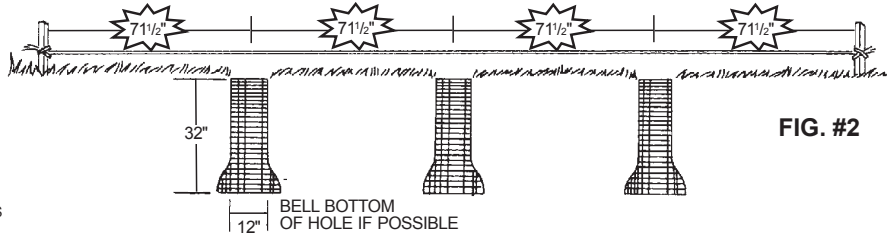
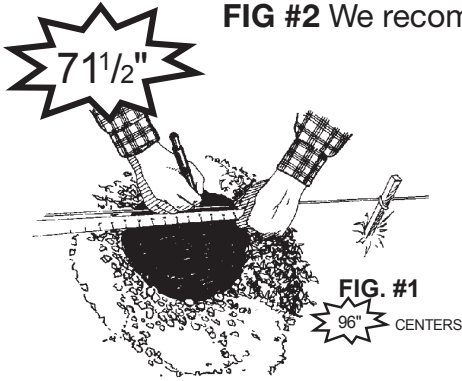
Requires 5" Cap.
Caps not included. See page 2 for options.

Sections under or over 6' long - 15% extra for special fabrication
Colors Available - Driftwood & Cedar

Cambium **Manor Fence**
Installation Instructions

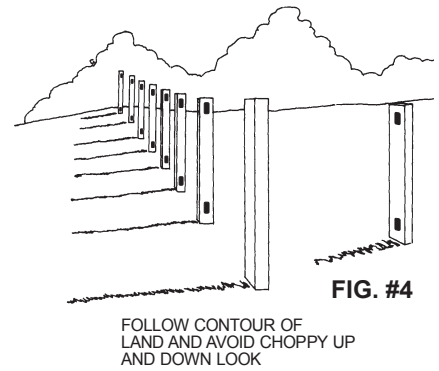
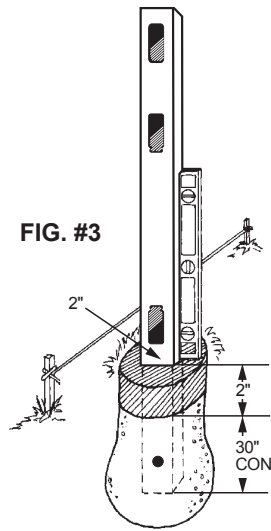
Step 1: Preparation and Digging

First, set stakes and stretch your line. Use spray paint to mark location of holes. **FIG #1** Holes should be 32" deep and should be 7 1/2" on center. **FIG #2** We recommend a 12" hole auger.



Step 2: Aligning of Fence Post

Set corner and end post and mark on string for 7 1/2" centers. Using a 4' level, position post close to string without touching. When post is plumb, fill hole to 2" below ground level with concrete. Then fill the rest with dirt. Be sure that bottom of the routed hole on fence post is 2" above ground. **FIG #3**

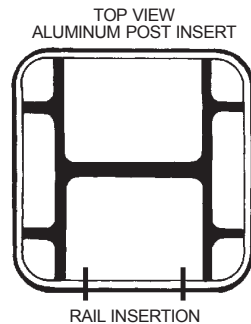
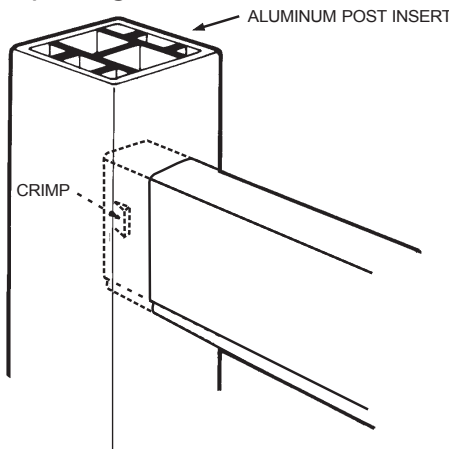


After all posts are in, sight across top of posts to ensure posts follow the contour of the land. Adjust posts accordingly and check for plumb by sighting down the side of the posts. **Fig #4**

Step 3: Gate Post Installation

5" Post: Single gate opening should be 3" wider than gate
Double gate opening should be 4 1/2" wider than gate

Slip aluminum post insert into PVC post before inserting rails into post.

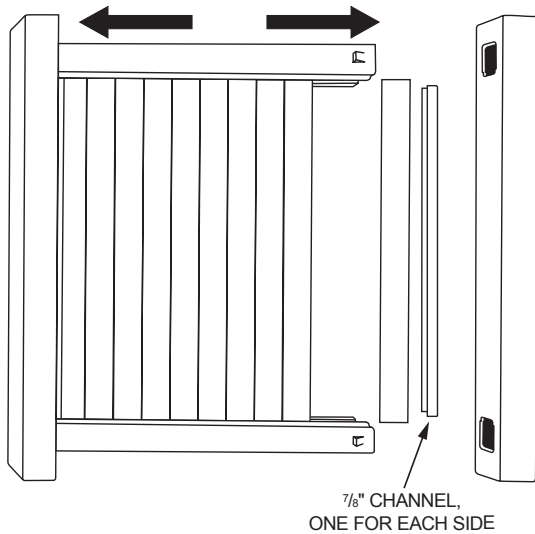


Note: Make sure the wide part of the aluminum insert is facing toward the holes in post.


Manor Fence
Installation Instructions

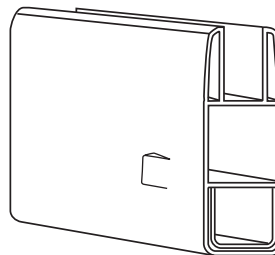
Step 4: Placing Section in Fence

Place bottom rail into post. Cut $\frac{7}{8}$ " channels to length (distance between the top and bottom rail). Slide channel onto first T&G board. Next, slide T&G boards into groove. Slide rest of boards into place, groove end of first board toward post. Place second $\frac{7}{8}$ " channel onto last T&G board and slide into place. Then position top rail on top of boards and push together. There is no need to screw or glue them fast.



Special Section:

We recommend that, in cutting the last T&G board, a band saw with a fine tooth blade be used. If a band saw is not available, use a circular saw with a "Triple Chip Aluminum" fine tooth blade. A 4" portable is best or a full size circular saw as a last choice. The $\frac{7}{8}$ " channel is used to clean up ends of T&G boards.



Each rail has a barb that slides in and locks the section in place.

Note: Rail with aluminum U-Channel is for bottom rail only.

Note: 2-way latch and gate springs available.

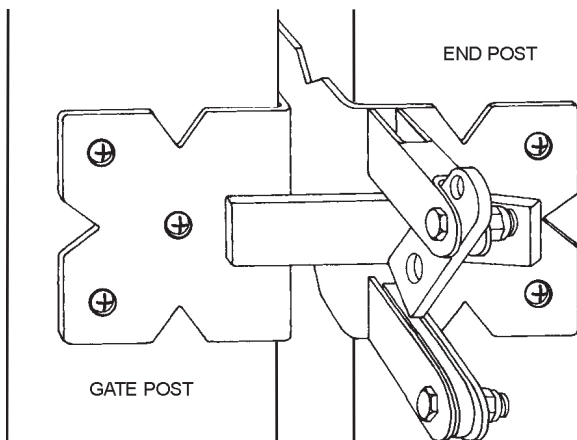
Gate springs must be used for  **Pool Code**

Step 5: Installation of Gate

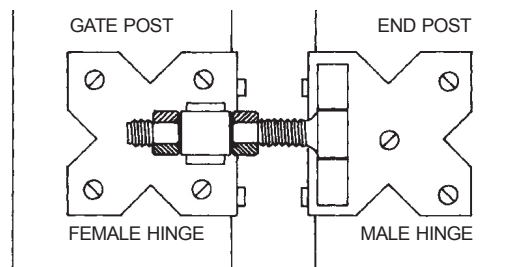
The gate hardware can be used for a right or left hand opening.

It simply is a matter of reversing the clappers and the latches. Shown below is the proper positioning of the gate hardware latch.

Bottom of latch must be 54" from ground level for  **Pool Code**



Hinges should be installed as such: the male hinge is mounted on the end post and has adjustable nuts to compensate for opening. The female hinge is mounted on the gate itself.



Note: Looks best when hinges line up with horizontal rails.