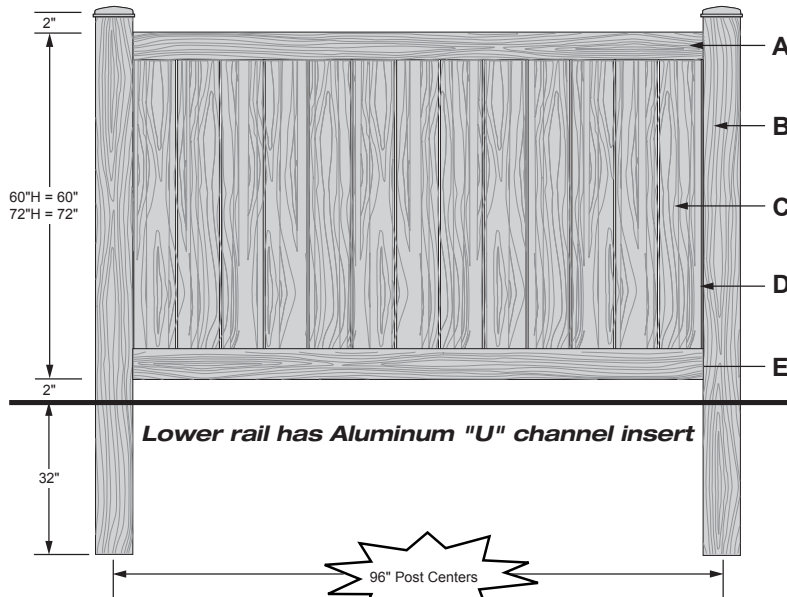


CertaGrain™ & CertaStucco™ Manor Fence

60", 72" High



A - 2" x 6" x 94" Rail

B - 5" x 5" Posts
60" High = 96" Post Length
72" High = 107" Post Length

C - (13) 7/8" x 7" T&G Spokes
60" High = 50½" Spoke Length
72" High = 62½" Spoke Length

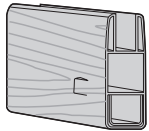
D - (2) 7/8" Side Channels

E - 2" x 6" x 94" Rail
(With Aluminum U-Channel)

Lower rail has Aluminum "U" channel insert



60", 72" High CertaGrain™ & CertaStucco™ Privacy Fence. All sections include 1-post per section, additional posts available, see price sheet.



2" x 6"
Rail w/ribs



60", 72" available to meet pool code.

Sections under 8' long - 15% extra for special fabrication

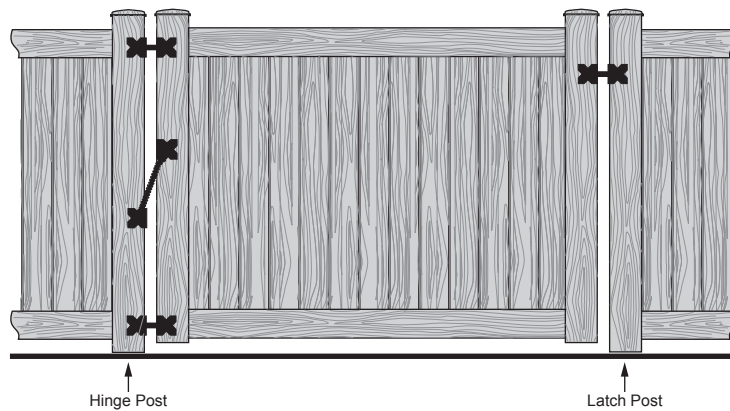
CertaGrain™ Colors Available - White, (Sierra, Brown, Clay- 15% Extra)

CertaStucco™ Colors Available - Mission Ivory

Optional Caps



CertaGrain™ & CertaStucco™ Manor Gates



60", 72" High

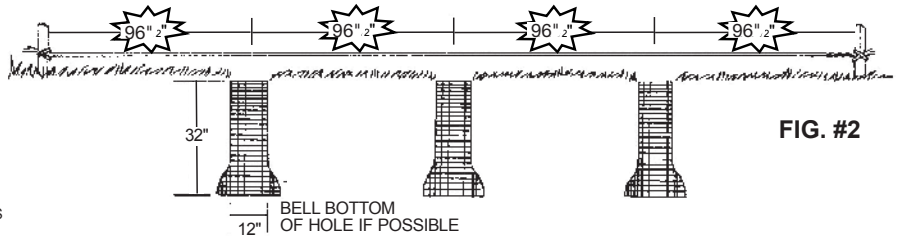
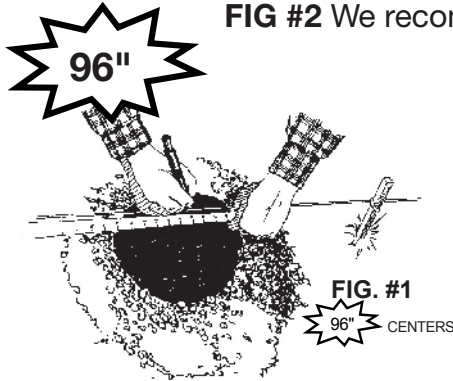
Hardware Recommended:

- Single Gates: 1- commercial hinge set
1- commercial latch or 2-way latch set
1- 5" aluminum post insert (*hinge post*)
- Double Gates: 2- commercial hinge set
1- commercial latch or 2-way latch set
1- commercial drop pin kit
2- 5" aluminum post insert (*hinge post*)

CertaGrain™ & CertaStucco™ Manor Fence Installation Instructions

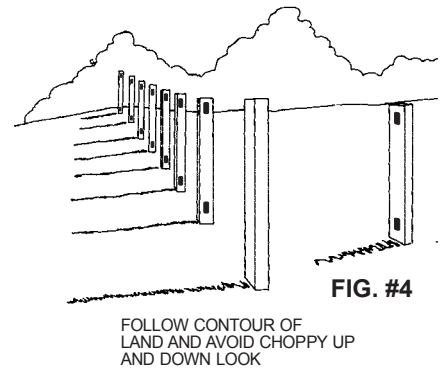
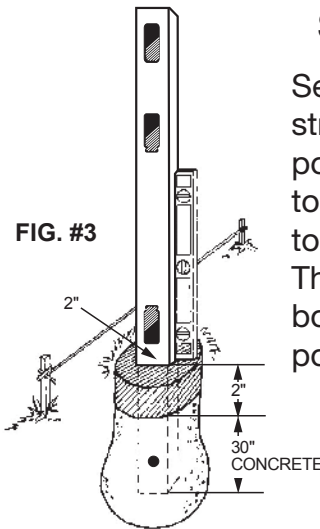
Step 1: Preparation and Digging

First, set stakes and stretch your line. Use spray paint to mark location of holes. **FIG #1** Holes should be 32" deep and should be 96" on center. **FIG #2** We recommend a 12" hole auger.



Step 2: Aligning of Fence Post

Set corner and end post and mark on string for 96" centers. Using a 4' level, position post close to string without touching. When post is plumb, fill hole to 2" below ground level with concrete. Then fill the rest with dirt. Be sure that bottom of the routed hole on fence post is 2" above ground. **FIG #3**

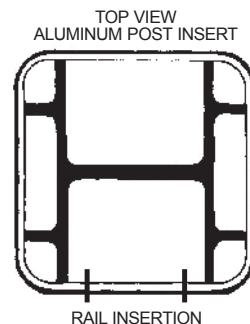
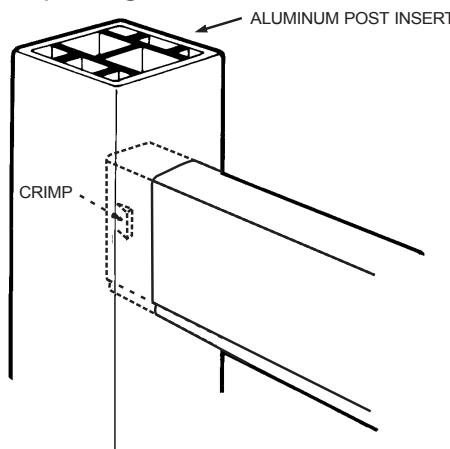


After all posts are in, sight across top of posts to ensure posts follow the contour of the land. Adjust posts accordingly and check for plumb by sighting down the side of the posts. **Fig #4**

Step 3: Gate Post Installation

5" Post: Single gate opening should be 3" wider than gate
Double gate opening should be 4½" wider than gate

Slip aluminum post insert into PVC post before inserting rails into post.

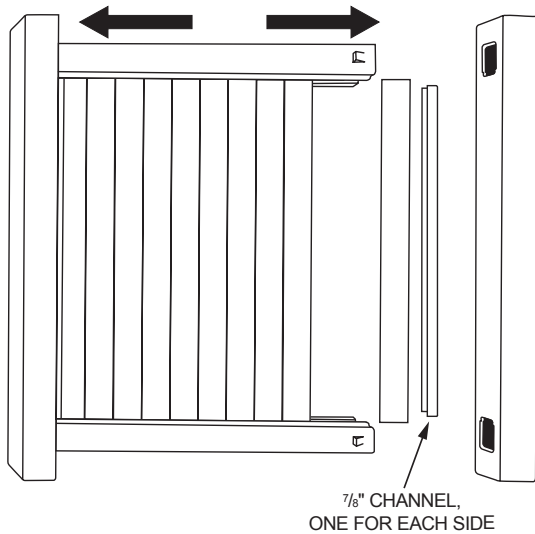


Note: Make sure the wide part of the aluminum insert is facing toward the holes in post.

CertaGrain™ & CertaStucco™ Manor Fence Installation Instructions

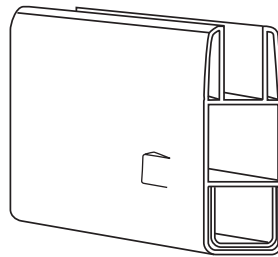
Step 4: Placing Section in Fence

Place bottom rail into post. Cut $\frac{7}{8}$ " channels to length (distance between the top and bottom rail). Slide channel onto first T&G board. Next, slide T&G boards into groove. Slide rest of boards into place, groove end of first board toward post. Place second $\frac{7}{8}$ " channel onto last T&G board and slide into place. Then position top rail on top of boards and push together. There is no need to screw or glue them fast.



Special Section:

We recommend that, in cutting the last T&G board, a band saw with a fine tooth blade be used. If a band saw is not available, use a circular saw with a "Triple Chip Aluminum" fine tooth blade. A 4" portable is best or a full size circular saw as a last choice. The $\frac{7}{8}$ " channel is used to clean up ends of T&G boards.



Each rail has a barb that slides in and locks the section in place.

Note: Rail with aluminum U-Channel is for bottom rail only.

Note: 2-way latch and gate springs available.

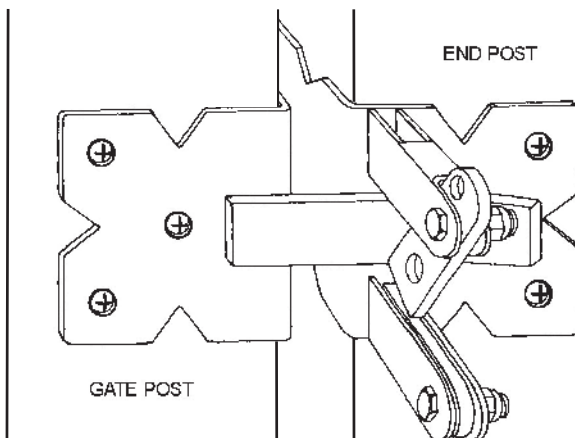
Gate springs must be used for  Pool Code

Step 5: Installation of Gate

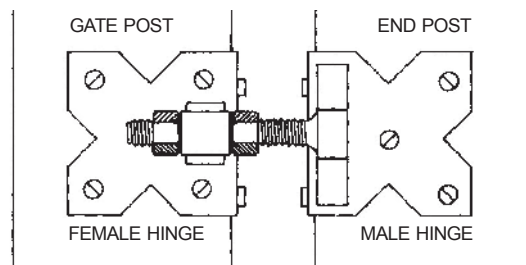
The gate hardware can be used for a right or left hand opening.

It simply is a matter of reversing the clappers and the latches. Shown below is the proper positioning of the gate hardware latch.

Bottom of latch must be 54" from ground level for  Pool Code

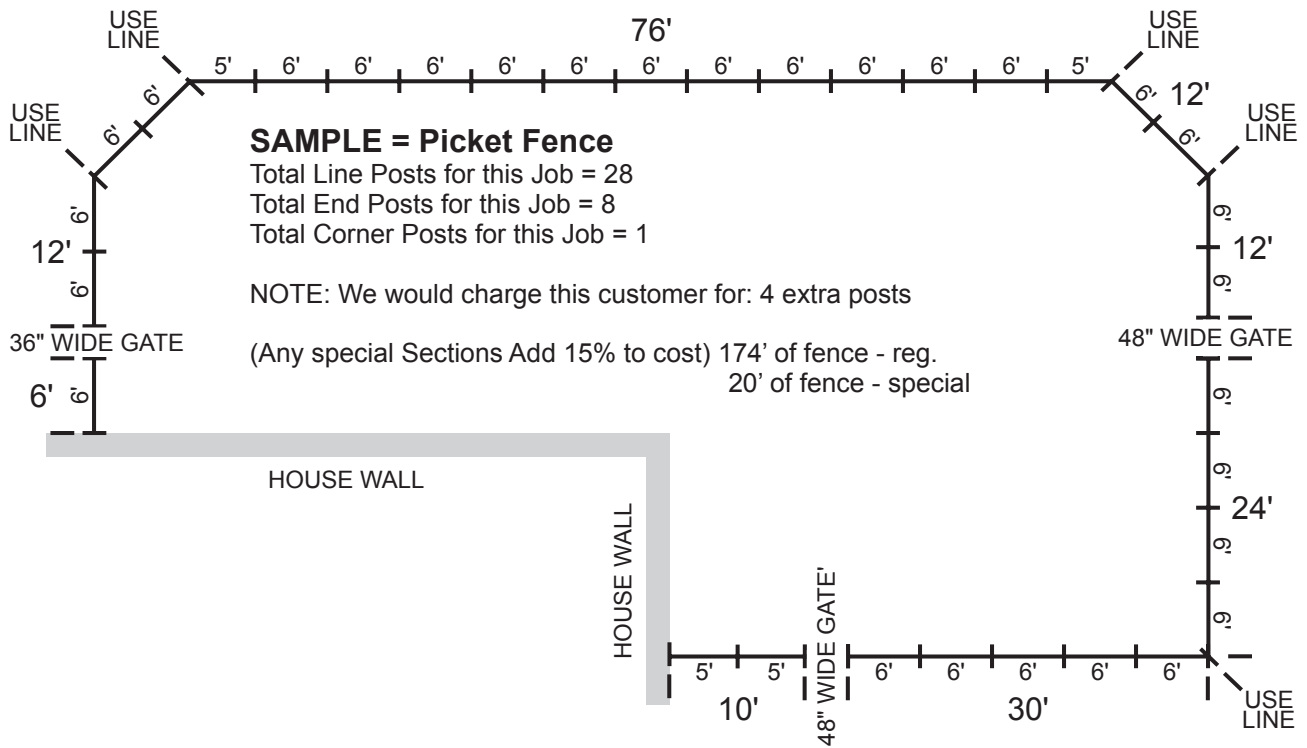


Hinges should be installed as such: the male hinge is mounted on the end post and has adjustable nuts to compensate for opening. The female hinge is mounted on the gate itself.



Note: Looks best when hinges line up with horizontal rails.

Recommended Sketch Drawing For Fence



NOTE: Post Spacing Differs on Styles of Fence

Answers Needed for These Questions:

- Height of Fence? _____
- Style of Fence? _____
- How Many Line Posts? _____
- How Many End Posts? _____
- How Many Corner Posts? _____
- What Style Caps? _____
- Width of Each Gate? _____
- How Many Hinges? _____
- How Many Latches? _____
- How Many Drop Pin Kits? _____
- How Many Post Inserts? _____