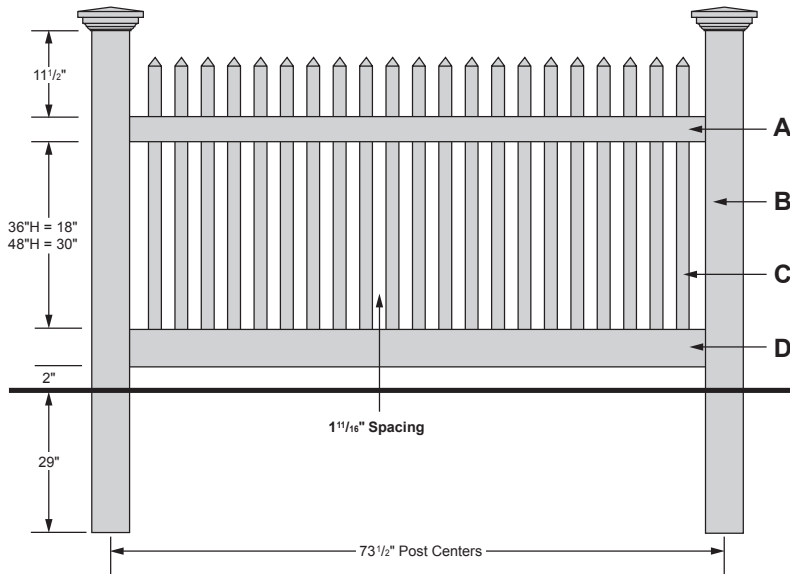


# New England Straight Picket Fence

## 1 1/2" Picket - 36", 48" High



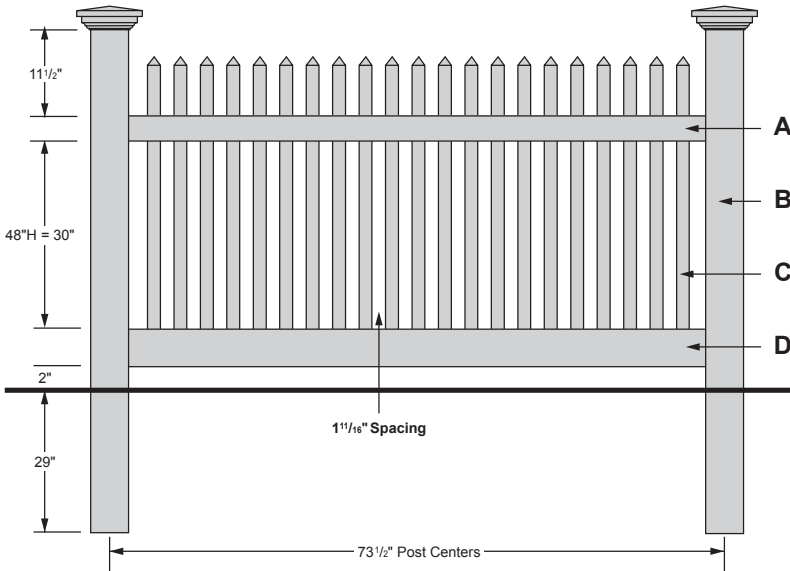
- A - Full 2" x 4" x 71 1/2" Routed Rail (Routed Top & Bottom)
- B - 5" x 5" Posts  
36" High = 72" Post Length  
48" High = 84" Post Length
- C - (21) 1 1/2" Sq. Crimped Pickets (With Pointed Caps)  
36" High = 31" Long Pickets  
48" High = 43" Long Pickets
- D - 2" x 6" x 71 1/2" Routed Rail



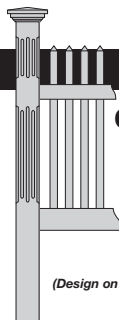
**POOL CODE STYLES REQUIRE 2 WEEK LEAD TIME**



## 1 1/2" Picket - 48" High



- A - Full 2" x 4" x 71 1/2" Routed Rail (Routed Top & Bottom)
- B - 5" x 5" Posts  
48" High = 84" Post Length
- C - (21) 1 1/2" Sq. Crimped Pickets (With Pointed Caps)  
48" High = 43" Long Pickets
- D - 2" x 6" x 71 1/2" Routed Rail



**Optional Post Design**

(Design on 2-sides)

Fluted Post

### Product Information (6' Sections)

1 1/2" x 36", 48" High New England Straight Picket Fence. All sections include 1-post per section, additional posts available, see price sheet.

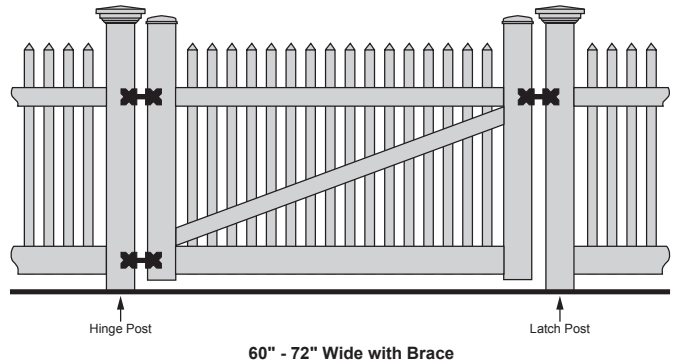
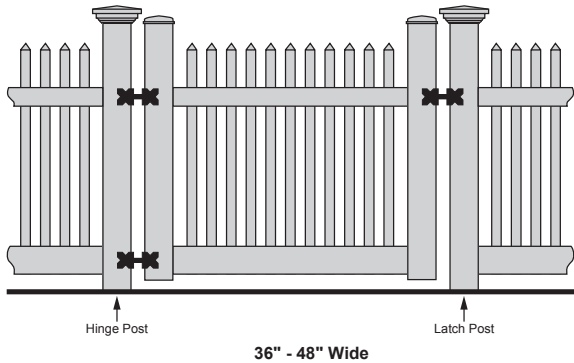


48" available to meet pool code.

**Special Notes: Sections are routed to accommodate 5° slope**  
 Sections under or over 6' long - 15% extra for special fabrication  
 Colors Available - White, (Ivory - 15% Extra)

# New England Straight Picket Fence - Gates

1 1/2" Picket Shown Below



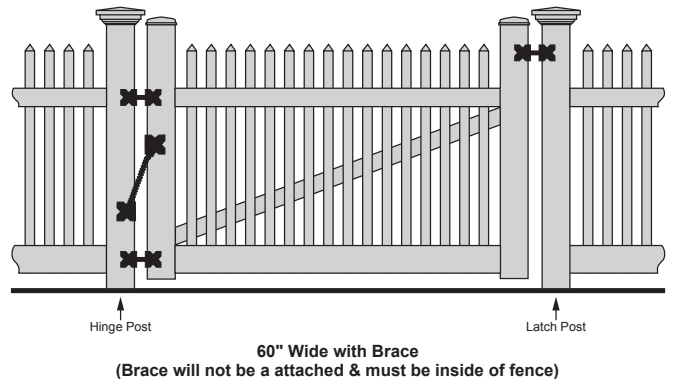
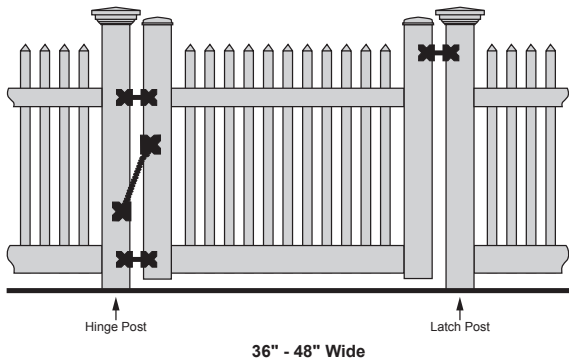
36" - 48" High

## Hardware Recommended:

- Single Gates: 1- commercial hinge set  
 1- commercial latch or 2-way latch set  
 1- 5" aluminum post insert (*hinge post*)
- Double Gates: 2- commercial hinge set  
 1- commercial latch or 2-way latch set  
 1- commercial drop pin kit  
 2- 5" aluminum post insert (*hinge post*)



1 1/2" Picket Shown Below



48" High

## Hardware Recommended:

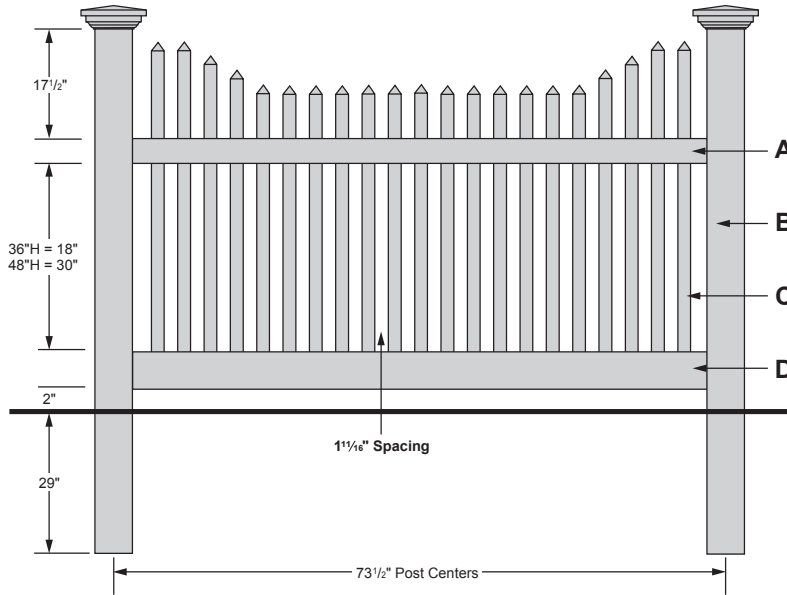
- Single Gates: 1- commercial hinge set  
 1- commercial latch or 2-way latch set  
 1- 5" aluminum post insert (*hinge post*)  
 1- commercial spring sets (*must have!*)
- Double Gates: 2- commercial hinge set  
 1- commercial latch or 2-way latch set  
 1- commercial drop pin kit  
 2- 5" aluminum post insert (*hinge post*)  
 2- commercial spring sets (*must have!*)



**Note: bottom of gate latch must be 54" from ground level!**

# New England Concave Picket Fence

## 1 1/2" Sq. Picket - 36", 48" High (Measurements taken at low point)



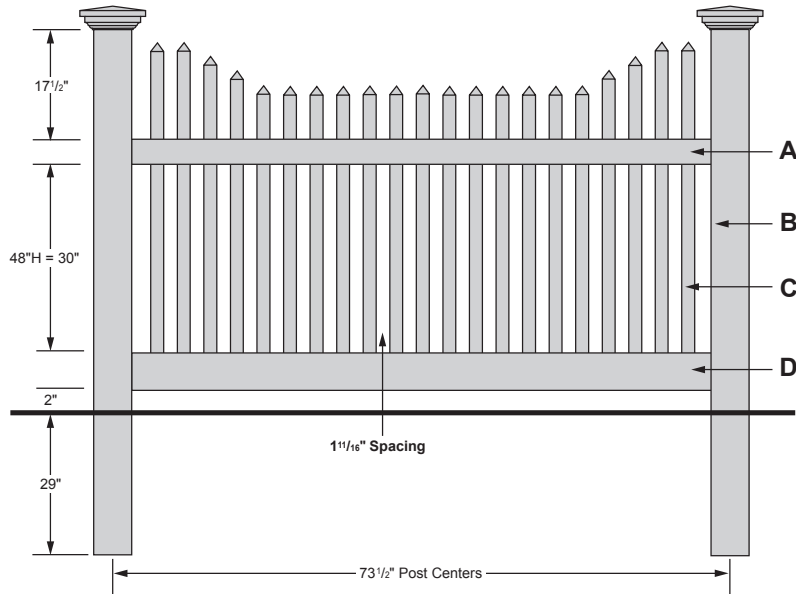
- A - Full 2" x 4" x 71 1/2" Routed Rail  
(Routed Top & Bottom)
- B - 5" x 5" Posts  
36" High = 78" Post Length  
48" High = 90" Post Length
- C - (21) - 1 1/2" Sq. Crimped Pickets  
(With Pointed Caps)  
36" High = 31" Short Pickets  
37" Long Pickets  
48" High = 43" Short Pickets  
49" Long Pickets
- D - 2" x 6" x 71 1/2" Routed Rail



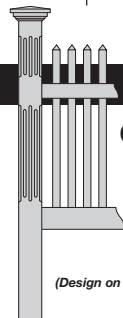
**POOL CODE STYLES REQUIRE 2 WEEK LEAD TIME**



## 1 1/2" Sq. Picket - 48" High (Measurements taken at low point)



- A - Full 2" x 4" x 71 1/2" Routed Rail  
(Routed Top & Bottom)
- B - 5" x 5" Posts  
48" High = 90" Post Length
- C - (21) 1 1/2" Sq. Crimped Pickets  
(With Pointed Caps)  
48" High = 43" Short Pickets  
49" Long Pickets
- D - 2" x 6" x 71 1/2" Routed Rail



**Optional  
Post  
Design**

(Design on 2-sides)

Fluted Post

### Product Information (6' Sections)

1 1/2" x 36", 48" High New England Concave Picket Fence. All sections include 1-post per section, additional posts available, see price sheet.

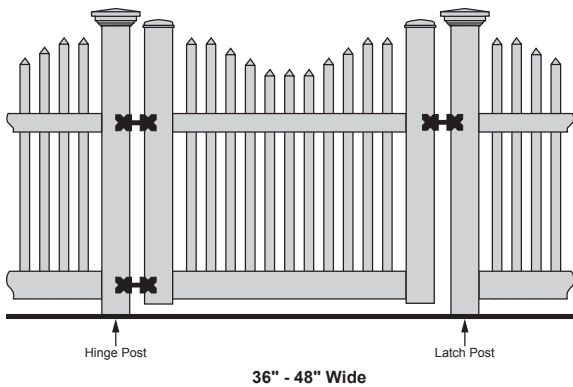


48" available to meet pool code.

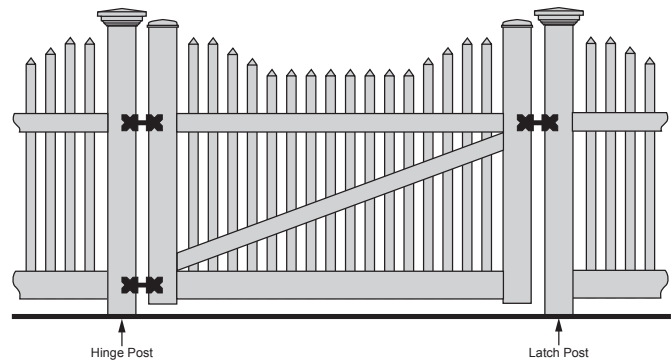
**Special Notes: Sections are routed to accommodate 5° slope**  
Sections under or over 6' long - 15% extra for special fabrication  
Colors Available - White, (Ivory - 15% Extra)

# New England Concave Picket Fence - Gates

1 1/2" Picket Shown Below



36" - 48" Wide



60" - 72" Wide with Brace

36" - 48" High

## Hardware Recommended:

- Single Gates: 1- commercial hinge set  
 1- commercial latch or 2-way latch set  
 1- 5" aluminum post insert (*hinge post*)
- Double Gates: 2- commercial hinge set  
 1- commercial latch or 2-way latch set  
 1- commercial drop pin kit  
 2- 5" aluminum post insert (*hinge post*)

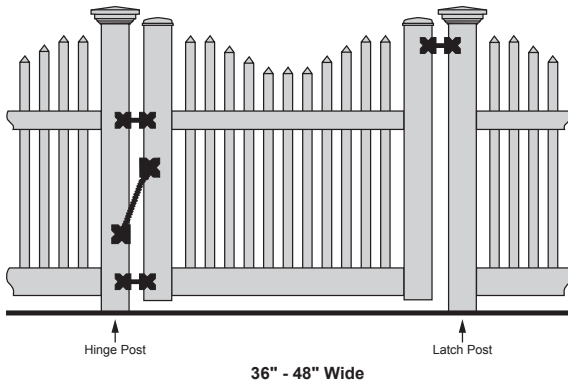


Pool Code

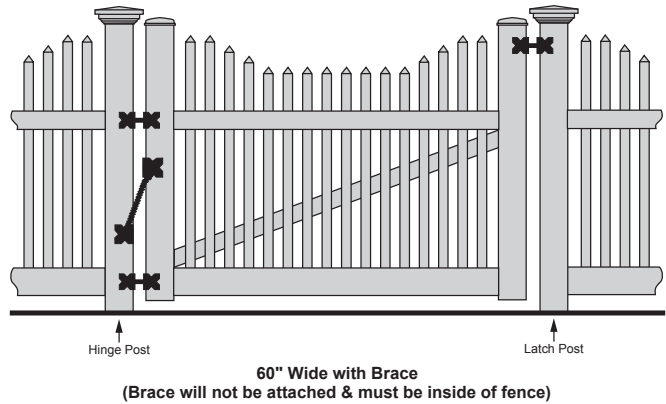
1 1/2" Pickets Shown Below



Pool Code



36" - 48" Wide



60" Wide with Brace  
 (Brace will not be attached & must be inside of fence)

48" High

## Hardware Recommended:

- Single Gates: 1- commercial hinge set  
 1- commercial latch or 2-way latch set  
 1- 5" aluminum post insert (*hinge post*)  
 1- commercial spring sets (*must have!*)
- Double Gates: 2- commercial hinge set  
 1- commercial latch or 2-way latch set  
 1- commercial drop pin kit  
 2- 5" aluminum post insert (*hinge post*)  
 2- commercial spring sets (*must have!*)



Note: bottom of gate latch must be 54" from ground level!

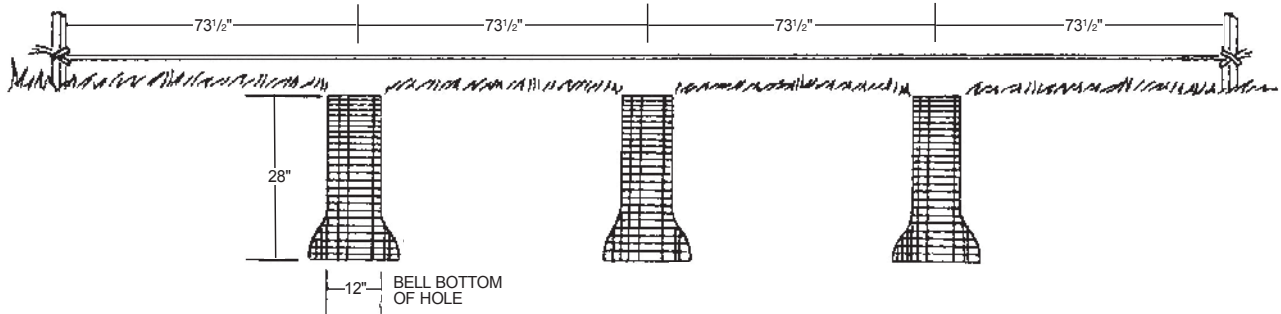
---

# New England Picket Fence Installation Instructions

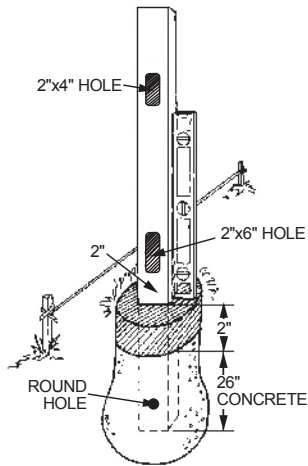
---

## Step 1: Preparation and Digging

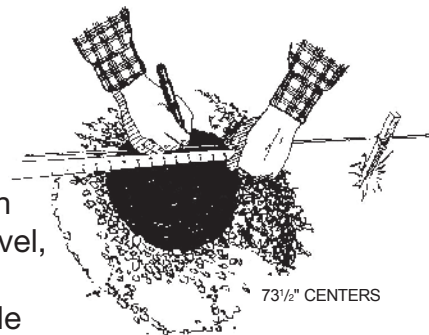
First, set stakes and stretch your line. Use spray paint to mark location of holes. Holes should be 28" deep and should be 73½" on center. We recommend a 12" hole auger.



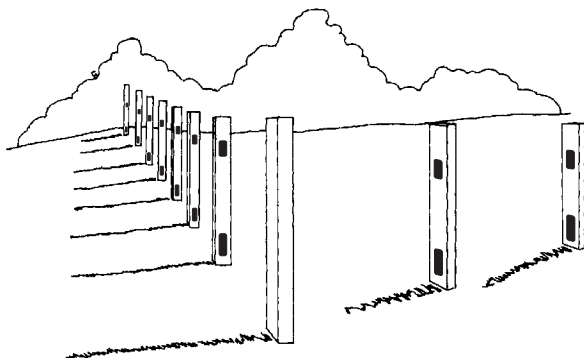
## Step 2: Aligning of Fence Post



Set corner and end post and mark on string for 73½" centers. Using a 4' level, position post close to string without touching. When post is plumb, fill hole to 2" below ground level with concrete. Then fill the rest with dirt. Be sure that bottom of the routed hole on fence post is 2" above ground.



For ease of installation, mark your level where top of post should be allowing for 2" spacing of bottom routed hole, keeping your level on the ground.



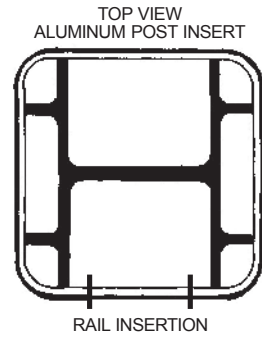
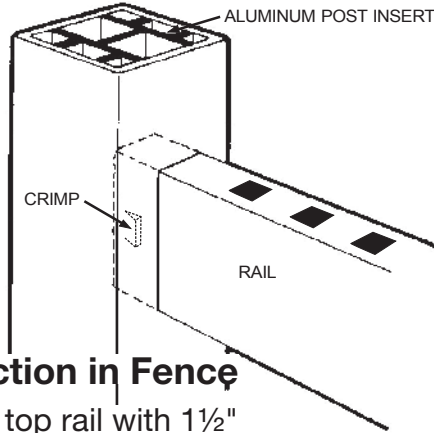
After all posts are in, sight across top of posts to ensure posts follow the contour of the land. Adjust posts accordingly and check for plumb by sighting down the side of the posts. Allow posts to set over-night before installing sections.

# New England Picket Fence Installation Instructions

## Step 3: Gate Post Installation

5" Posts: Single Gate opening should be 3" wider than gate  
Double Gate opening should be 4½" wider than gate

Slip aluminum post insert into PVC post before inserting rails into posts.



Note: Make sure the wide part of the Aluminum insert is facing toward the holes in post.

## Step 4: Placing Section in Fence

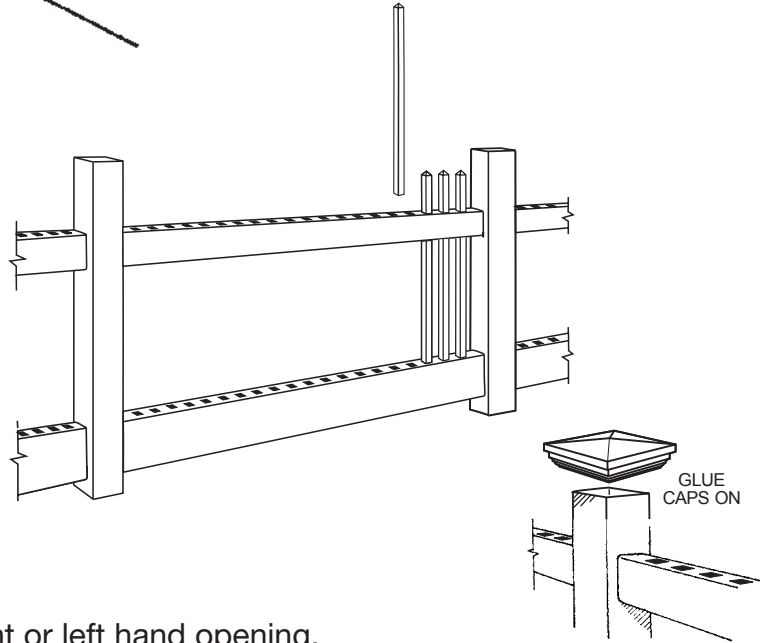
(2 x 6 bottom rail, 2 x 4 top rail with 1½" sq. holes facing up)

Insert pickets into routed holes with crimped end snapping into bottom 2 x 6 rail.

For concave sections:

- (4) #1 pickets - 2 each end
- (2) #2 pickets - 3rd from end
- (2) #3 pickets - 4th from end
- (13) shortest pickets - fill up the middle

**Note: Gate springs available.**  
**Gate springs must be used for** 

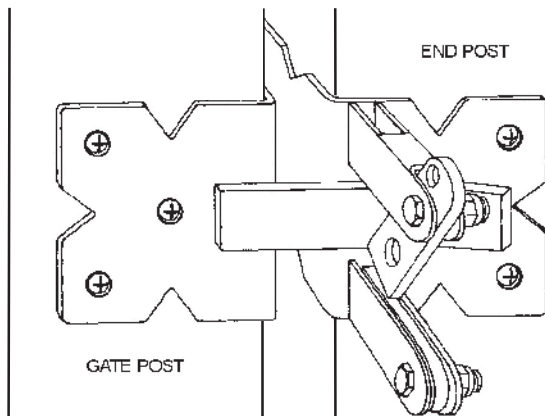


## Step 5: Installation of Gate

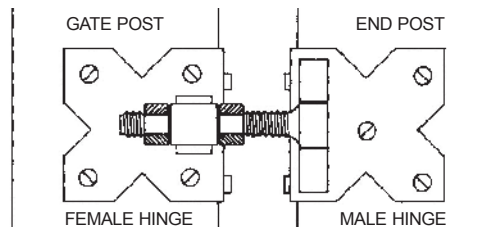
The gate hardware can be used for a right or left hand opening.

It simply is a matter of reversing the clappers and the latches. Shown below is the proper positioning of the gate hardware latch.

Bottom of latch must be 54" from ground level for 

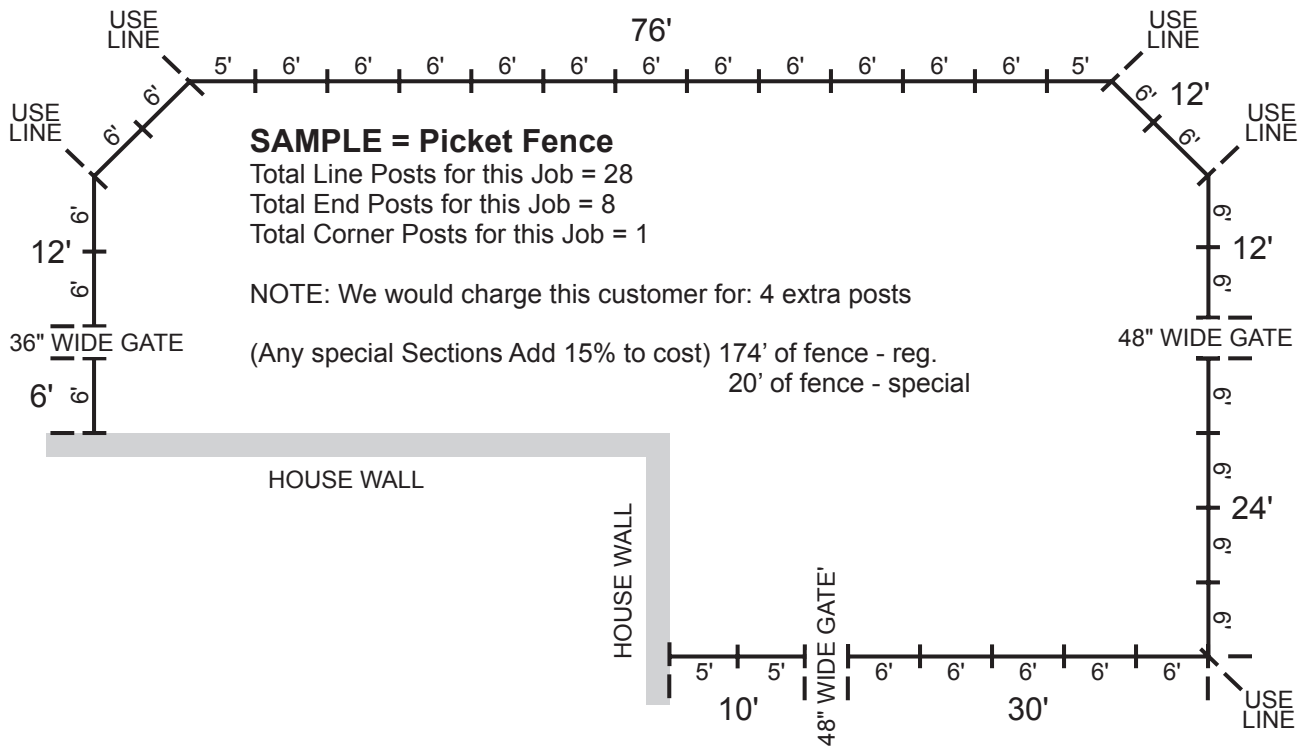


Note: Looks best when hinges line up with horizontal rails.



Hinges should be installed as such: the male hinge is mounted on the end post and has adjustable nuts to compensate for opening. The female hinge is mounted on the gate itself.

# Recommended Sketch Drawing For Fence



NOTE: Post Spacing Differs on Styles of Fence

## ***Answers Needed for These Questions:***

- Height of Fence? \_\_\_\_\_
- Style of Fence? \_\_\_\_\_
- How Many Line Posts? \_\_\_\_\_
- How Many End Posts? \_\_\_\_\_
- How Many Corner Posts? \_\_\_\_\_
- What Style Caps? \_\_\_\_\_
- Width of Each Gate? \_\_\_\_\_
- How Many Hinges? \_\_\_\_\_
- How Many Latches? \_\_\_\_\_
- How Many Drop Pin Kits? \_\_\_\_\_
- How Many Post Inserts? \_\_\_\_\_