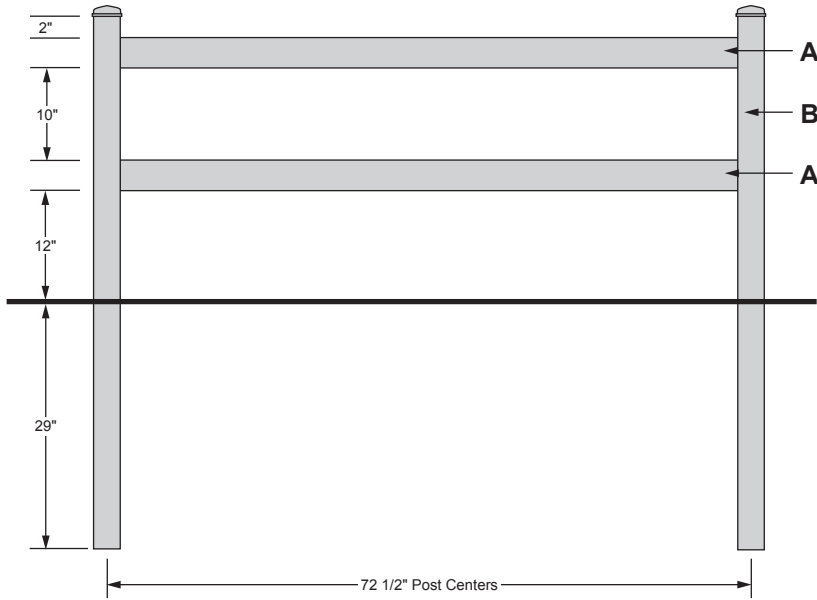


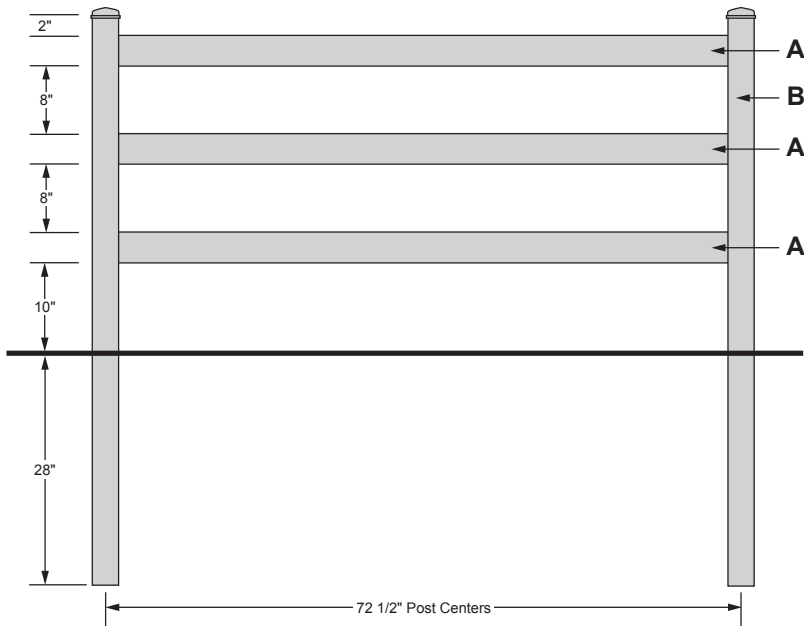
2 Rail Residential Fence



A - 2" x 4" x 71½" Plain Rails

B - 4" x 4" x 60" Posts

3 Rail Residential Fence



A - 2" x 4" x 71½" Plain Rails

B - 4" x 4" x 66" Posts

Product Information (6' Sections)

2, 3 Rail Residential Yard Fence. All sections include 1-post per section, additional posts available, see price sheet.

Optional Caps



Ball Cap

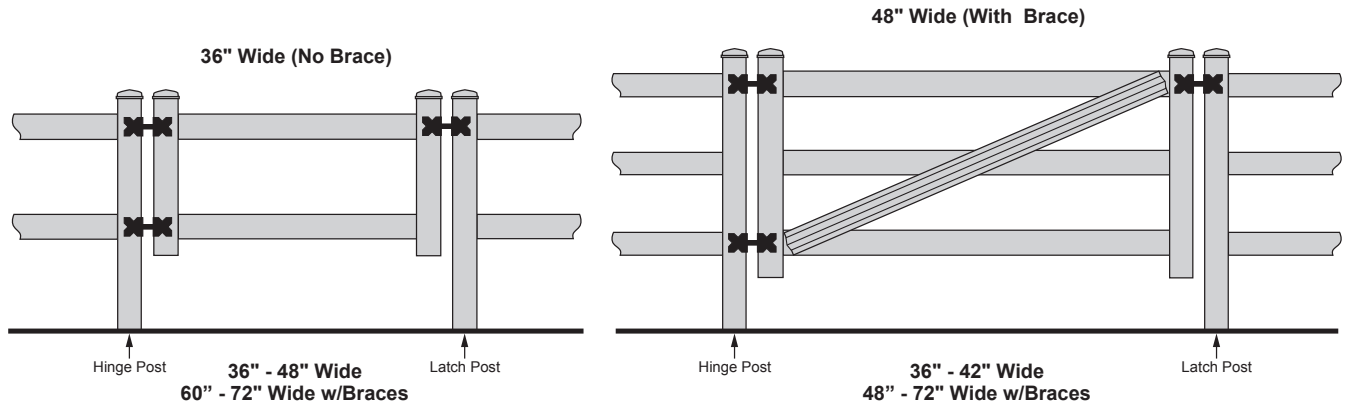


Spade Cap



Sections under or over 6' long - 15% extra for special fabrication
Colors Available - White, (Ivory & Gray - 15% Extra)

2 & 3 Rail Residential Fence - Gates



Note: Gates 48"-72" Wide need Diagonal Brace!

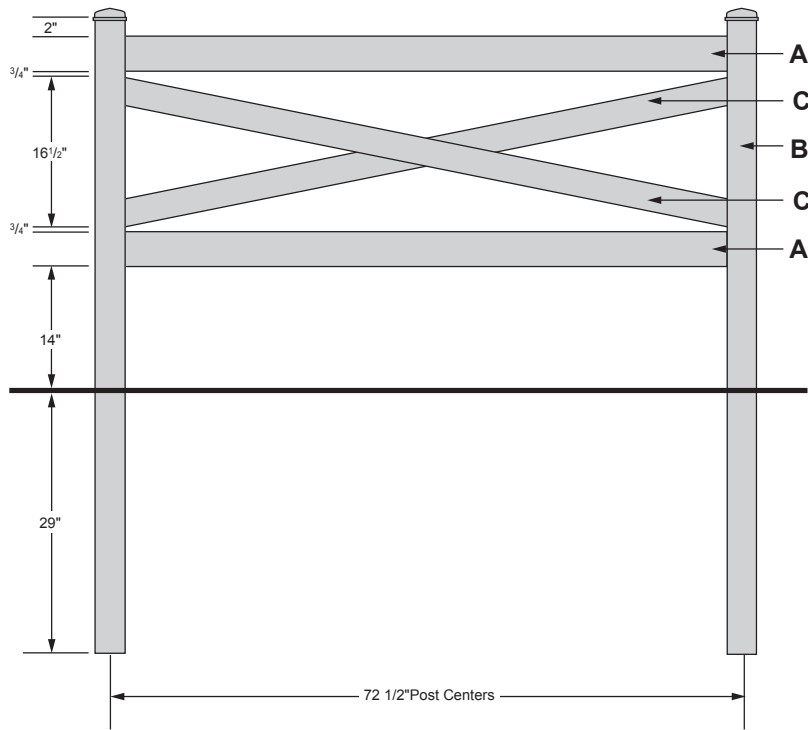
Hardware Recommended:

- Single Gates: 1- residential hinge set
 1- residential latch or 2-way latch set
 1- 4" aluminum post insert (*hinge post*)
- Double Gates: 2- residential hinge set
 1- residential latch or 2-way latch set
 1- residential drop pin kit
 2- 4" aluminum post insert (*hinge post*)

Hardware Recommended:

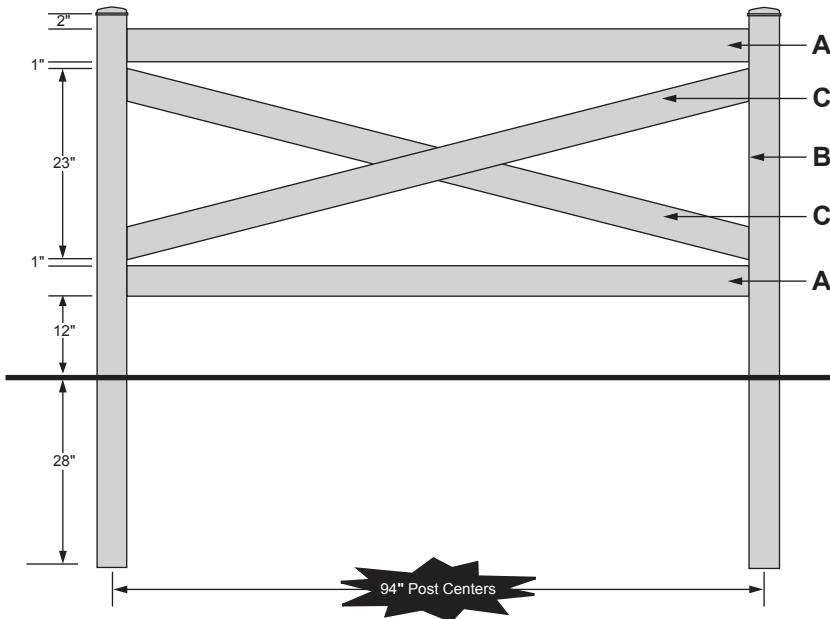
- Single Gates: 1- commercial hinge set
 1- commercial latch or 2-way latch set
 1- 5" aluminum post insert (*hinge post*)
- Double Gates: 2- commercial hinge set
 1- commercial latch or set
 1- commercial drop pin kit

Residential Crossrail Fence



- A - 2" x 4" x 71½" Plain Rails
- B - 4" x 4" x 72" Posts
- C - (2) 7/8" x 3" x 73" Diagonal Rails

Commercial Crossrail Fence



- A - 1½" x 5½" x 96" Ribbed Rails
- B - 5" x 5" x 78" Posts (4-Rail)
5" x 5" x 90" Posts (5-Rail)
- C - (2) 1½" x 5½" x 96" Ribbed Diagonal Rails

Product Information

Residential Crossrail Fence. All sections include 1-post per section, additional posts available, see price sheet.

48" High 4-Rail Commercial Crossrail Fence. All sections include 1-post per section, additional posts available, see price sheet.

54" High 5-Rail Commercial Crossrail Fence. All sections include 1-post per section, additional posts available, see price sheet.

Optional Caps



Ball Cap



Spade Cap



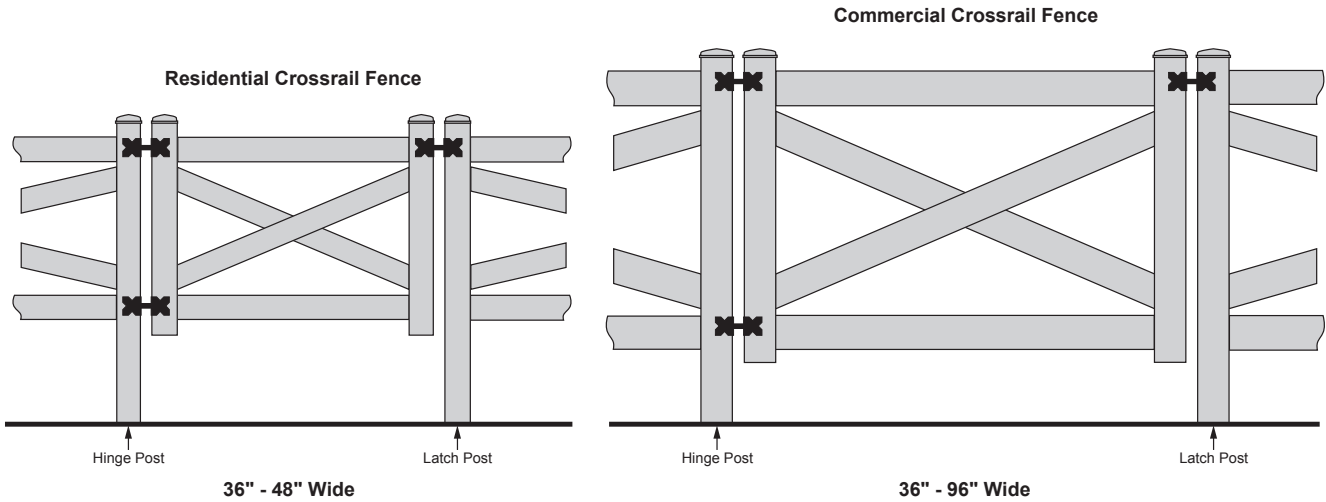
NY Flat Cap



NE Flat Cap

Sections under or over 6' long - 15% extra for special fabrication
Colors Available - White, (Ivory & Gray - 15% Extra)

Residential & Commercial Crossrail Fence - Gates



Hardware Recommended:

- Single Gates: 1- residential hinge set
1- residential latch or 2-way latch set
1- 4" aluminum post insert (*hinge post*)
- Double Gates: 2- residential hinge set
1- residential latch or 2-way latch set
1- residential drop pin kit
2- 4" aluminum post insert (*hinge post*)

Hardware Recommended:

- Single Gates: 1- commercial hinge set
1- commercial latch or 2-way latch set
1- 5" aluminum post insert (*hinge post*)
- Double Gates: 2- commercial hinge set
1- commercial latch or set
1- commercial drop pin kit
2- 5" aluminum post insert (*hinge post*)